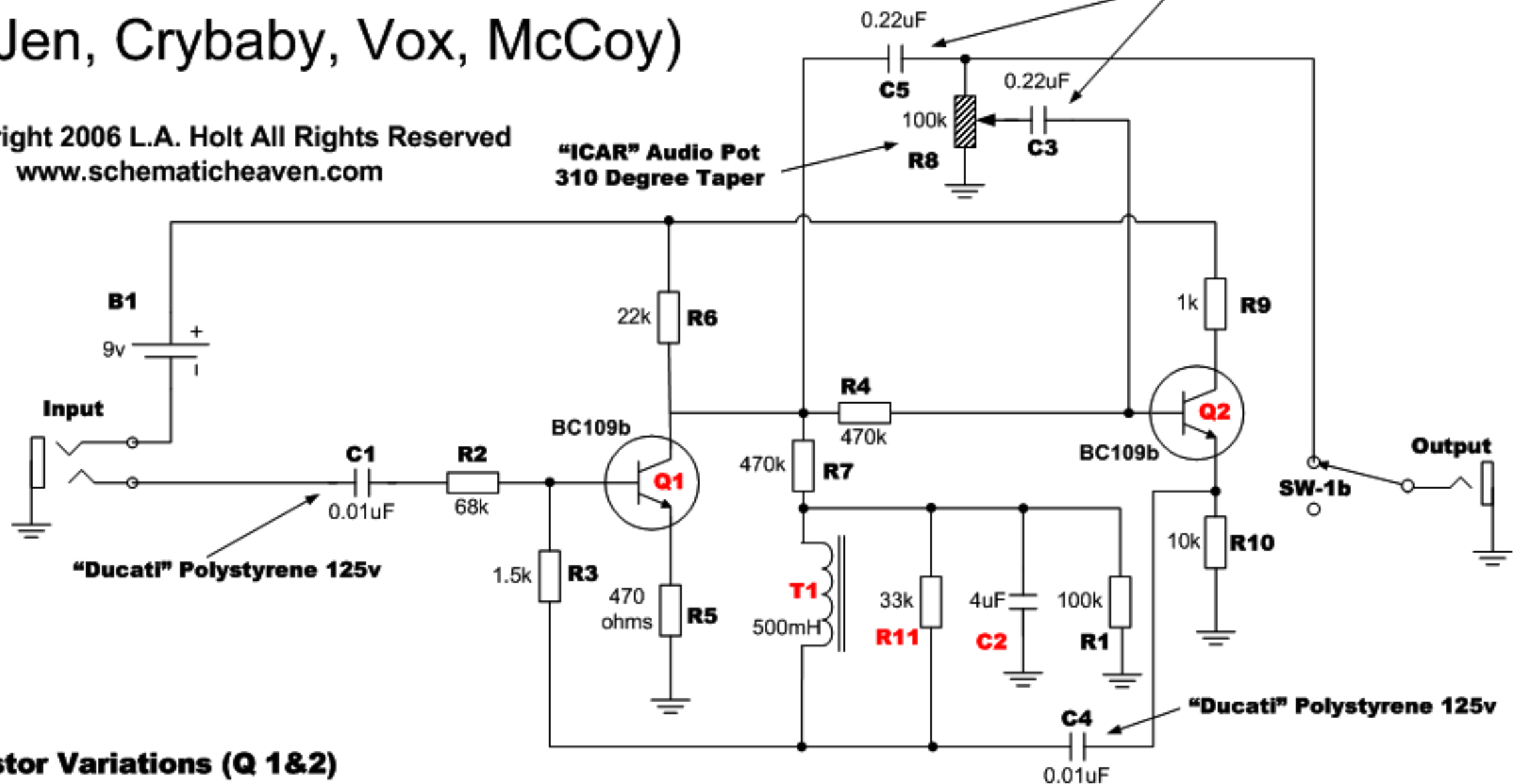


60-70's Wah Variations

(Jen, Crybaby, Vox, McCoy)

Copyright 2006 L.A. Holt All Rights Reserved
www.schematichaven.com



Transistor Variations (Q 1&2)

BC109b
BC239C
5117
2N3415
2N5232A
SIP5172
SES131DT2
SGSIW98021650
SGSIW98011642
* **NPN Silicon**

Inductor Variations (T1)

Halo (small hole) - 530mh/35.5 ohms
Halo (large hole) - ?
Canister 500 (Aluminum) - 522mh/16.2 ohms
Dime Stack (Reddish Brown) - 540mh/45.5 ohms
TDK 5103 (Square Japan stamp) - 511mh/39.5 ohms
TDK 5103 (Square PN # stamp only) - 522mh/18.5 ohms
Fasel (Original Red, Yellow, White) - 566mh/32.6 ohms
Dunlop (80's Thimble) - 487mh/302 ohms

* **All values measured are DC resistance**

Capacitor (C2)

4uF (Non Polarized)

Resistor (R11)

33k or 100k