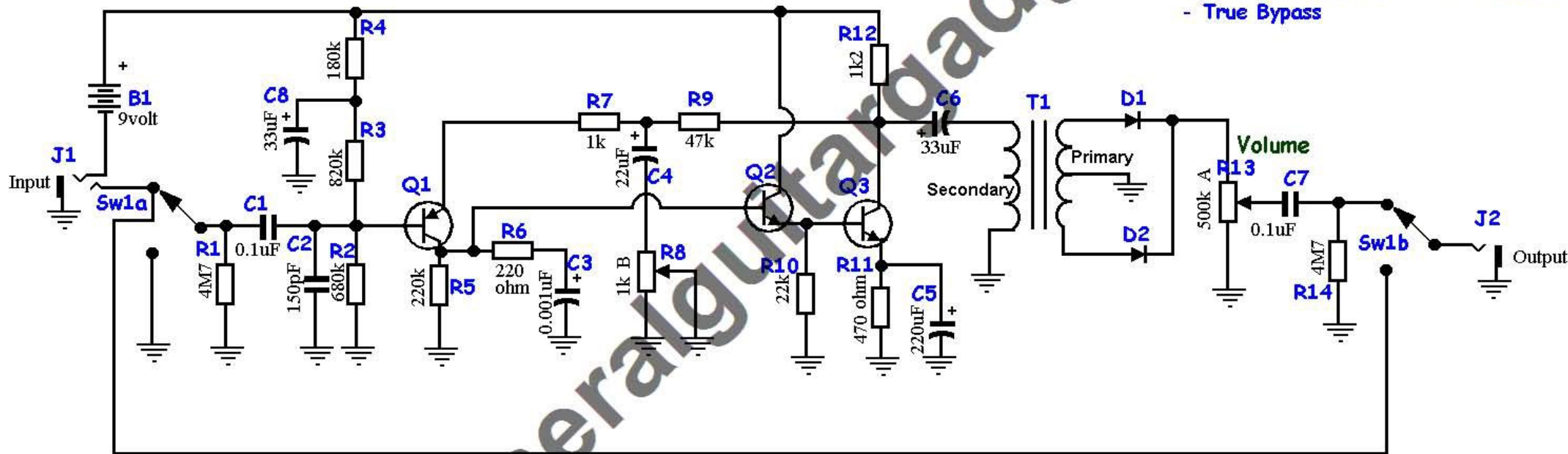


Tycobrahe Octavia

Modernizations:

- Negative ground circuit.
- C4 is 22uF not 25uF.
- Output cap C7 added.
- Pull down resistors R1 & R14 added.
- True Bypass



Diodes - 1N34A or other Germanium

Q1 - 2N5087

Q2, Q3 - 2N5088

T1 - 42TM011 (impedance ratio 3:1)

(Primary: 500 ohm / Secondary: 1.5k ohm)