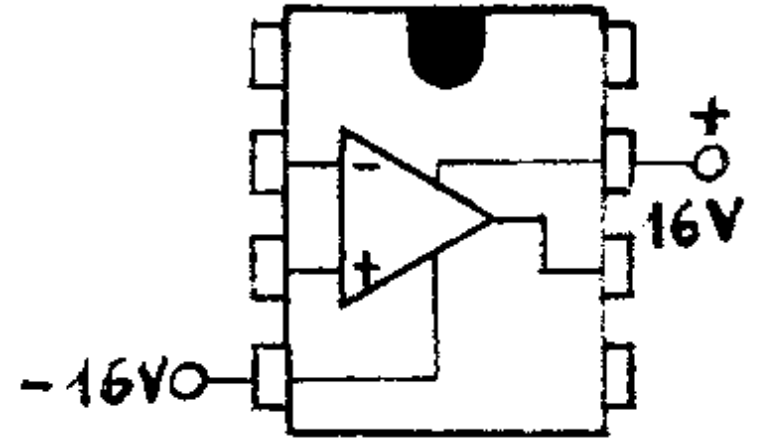
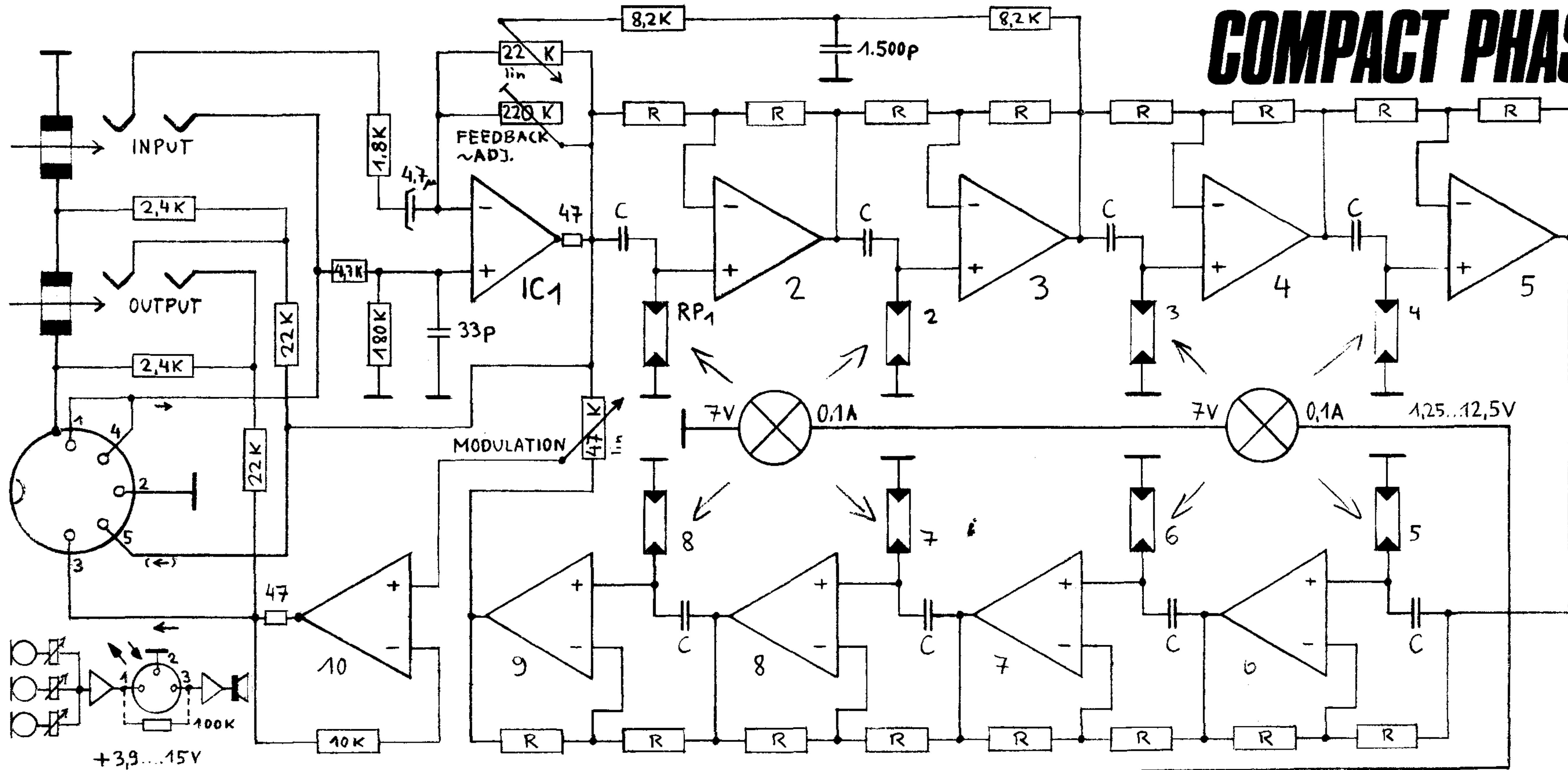


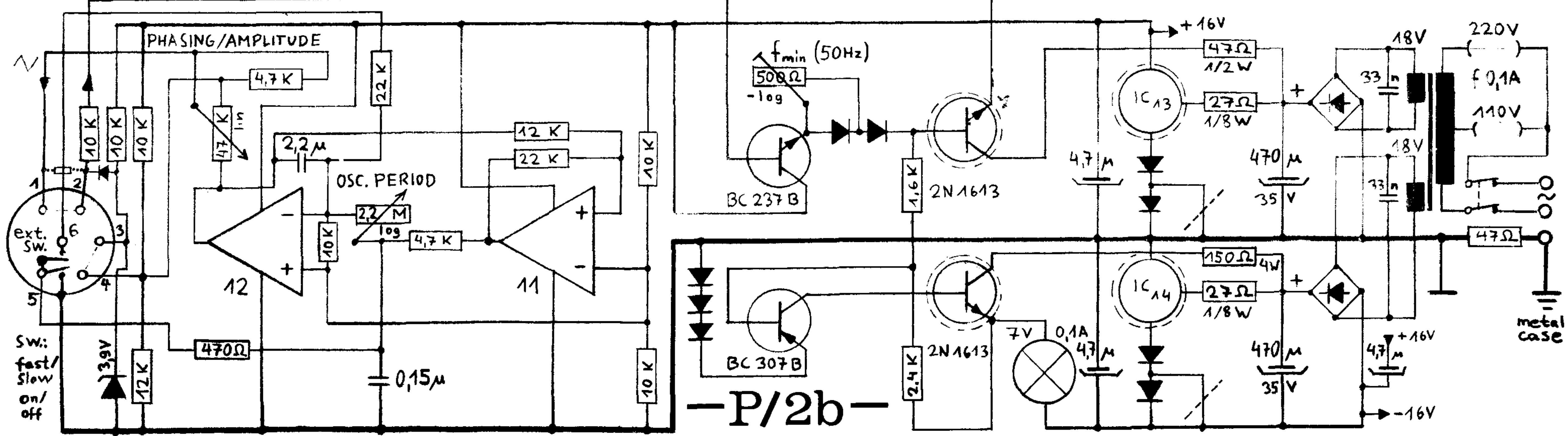
# COMPACT PHASING 'A'



LM741CN  
= IC<sub>1</sub>-IC<sub>5</sub>  
selected

IC<sub>6</sub>-IC<sub>10</sub> = 30CE

RP selected  
C = 15...33nF  
R = 22K (15K)



-P/2b-