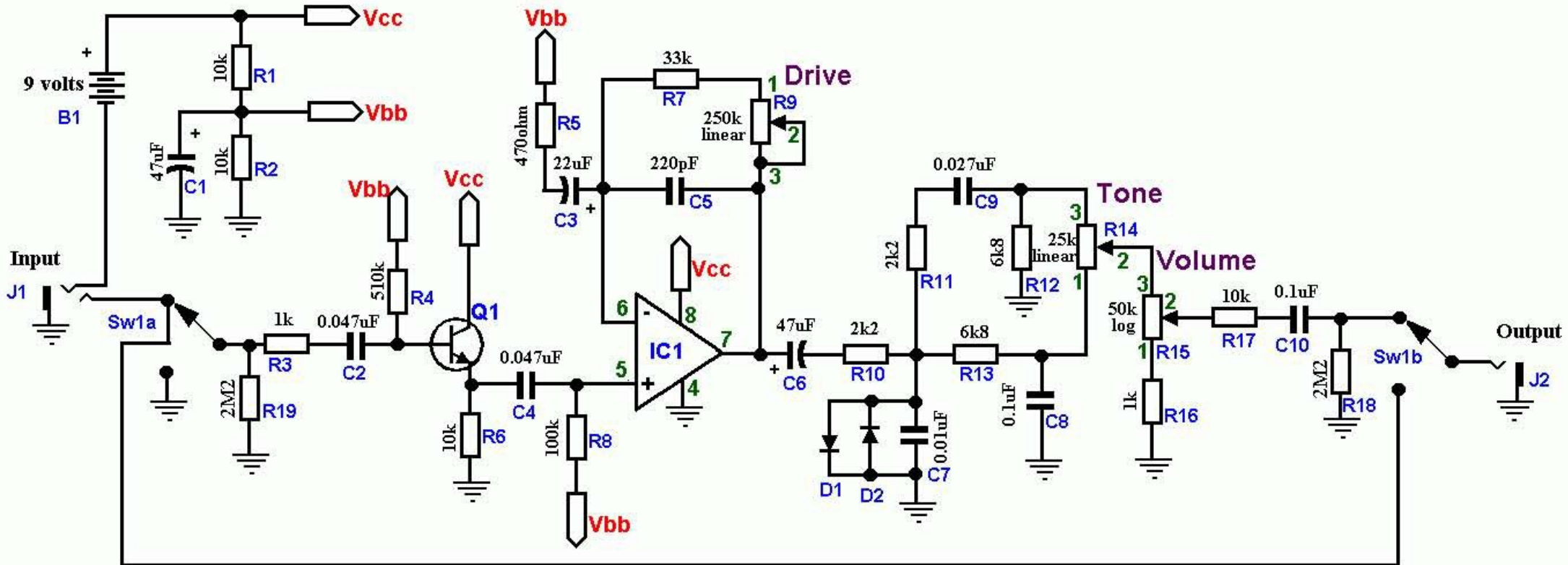


Sonic Distortion



Modernized with pull-down resistors, true bypass switch and readily available pot values.

Q1 = 2N3904 or 2N3904
IC1 = 4558 or TL072
Sw1 = DPDT Heavy Duty Footswitch