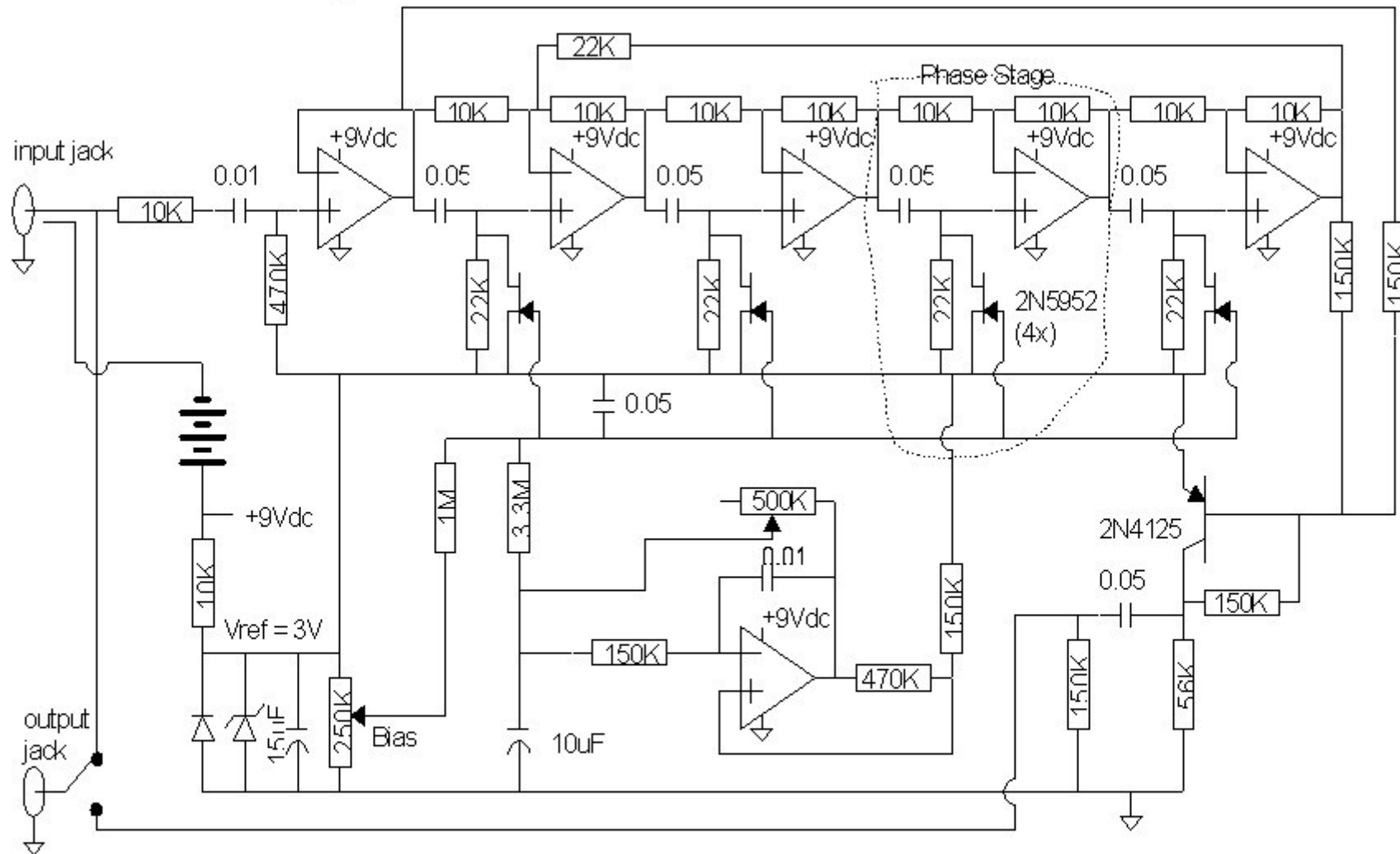


PHASE 90, 180



Notes:

- (1) The number of phase stages may be extended to six or eight by inserting additional identical phase stages in pairs.
- (2) All opamp positive supply terminals connected to +9Vdc, all opamp negative terminals connected to ground.
- (3) All capacitors in microfarads (μF).