

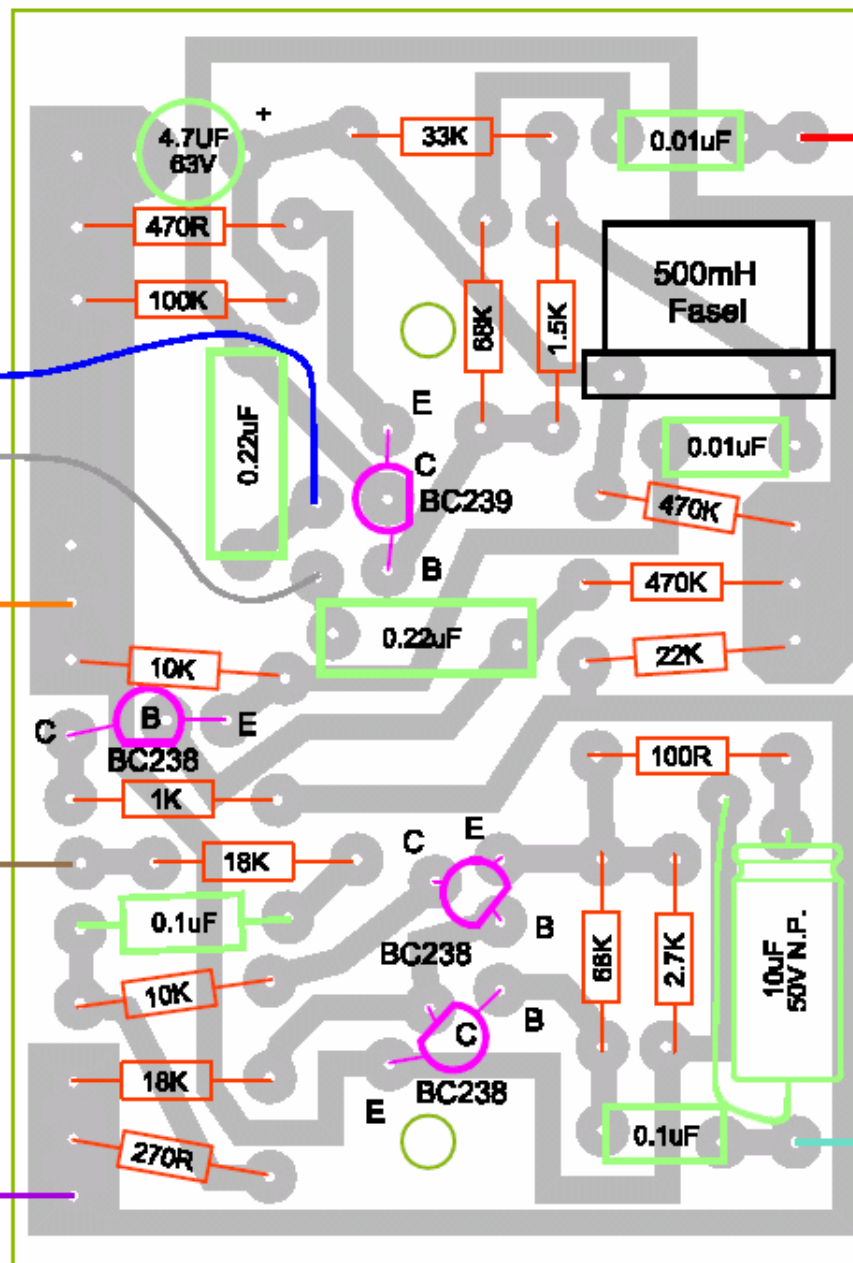


WAH OUT

GROUND

FUZZ OUT

+9V



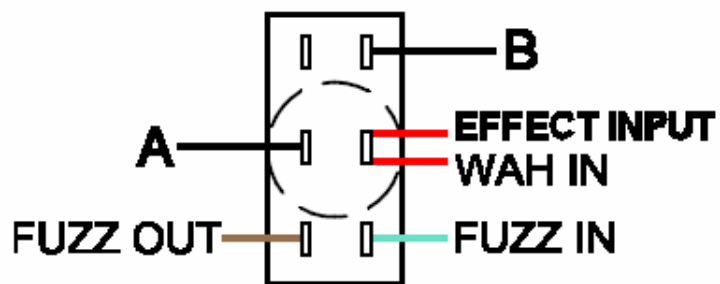
WAH IN

3.50"

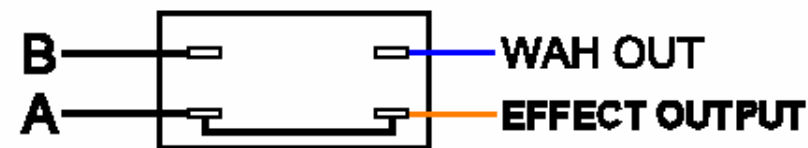
FUZZ IN

2.375"

WAH WAH/
BYPASS



DPDT SWITCH:
FUZZ-WAH/
FUZZ



DPST FOOTSWITCH: