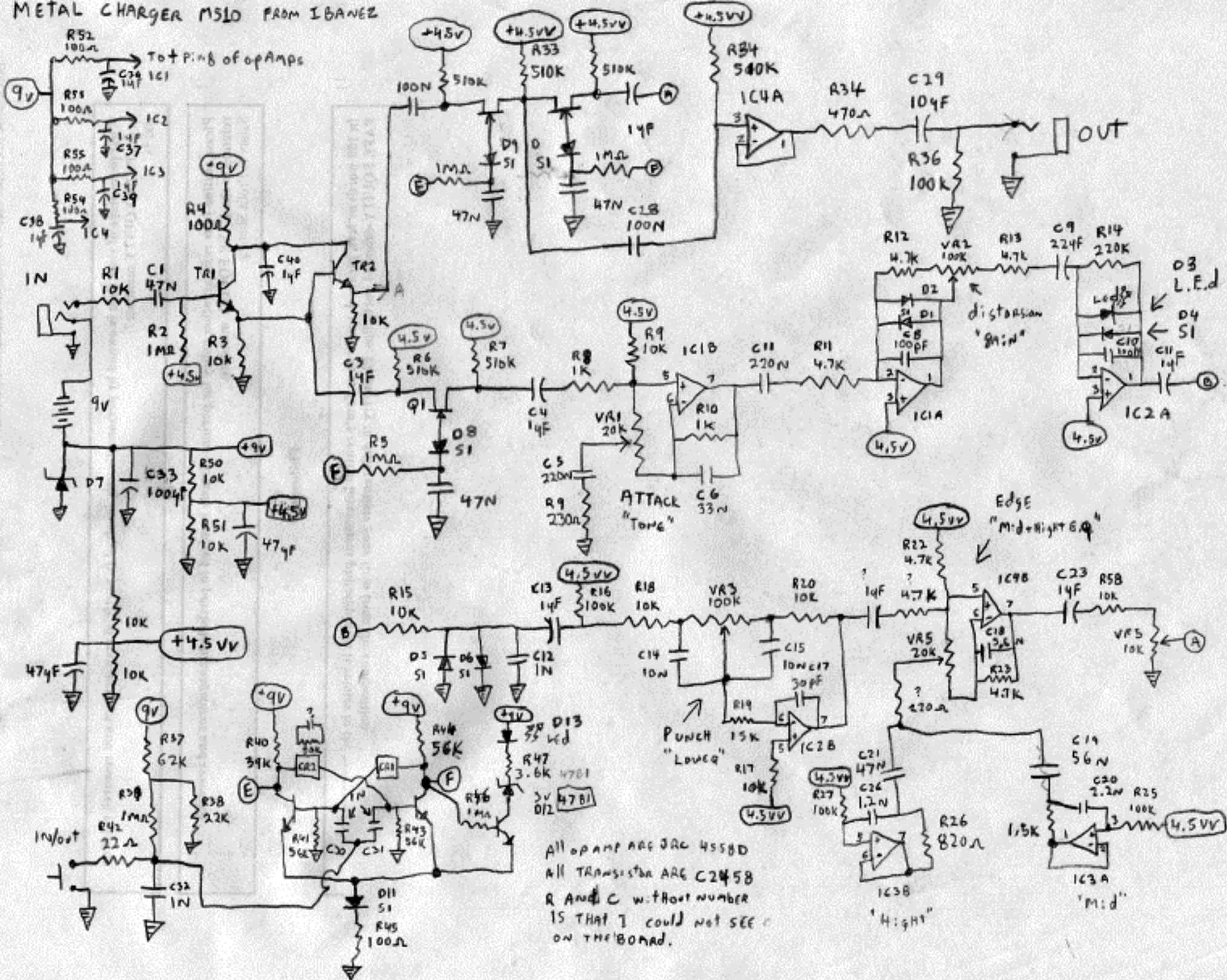


METAL CHARGER MS10 FROM IBANEZ



All opamp are JRC 4558D
 All Transistor are C2458
 R and C without number
 is that I could not see
 on the board.

'High'

'Mid'

Edge
 "Mid-High EQ"

Punch
 "Lower"

Distortion
 "Gain"

D3
 L.E.d

D4
 S1

4.5V

4.5V

4.5V

4.5V

4.5V

9V

9V

9V

9V

IN

OUT

Tot Ping of op Amps

ATTACK
 "Tone"

Edge
 "Mid-High EQ"

Punch
 "Lower"

Distortion
 "Gain"

D3
 L.E.d

D4
 S1

4.5V

4.5V

4.5V

4.5V

4.5V

9V

9V

9V

9V

IN

OUT

Tot Ping of op Amps

ATTACK
 "Tone"

Edge
 "Mid-High EQ"

Punch
 "Lower"

Distortion
 "Gain"

D3
 L.E.d

D4
 S1

4.5V

4.5V

4.5V

4.5V

4.5V

9V

9V

9V

9V

IN

OUT

Tot Ping of op Amps