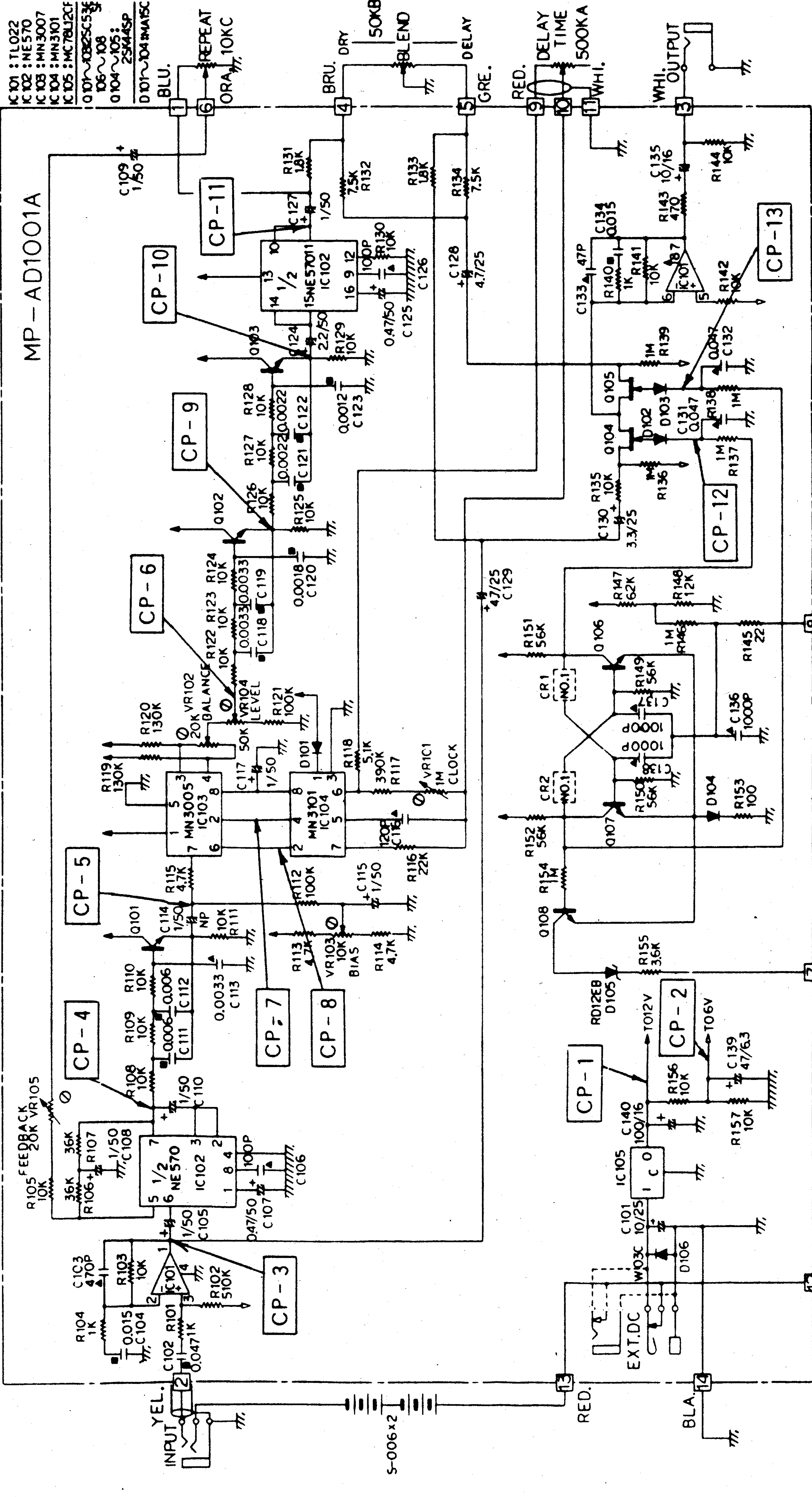


# MP-AD1001A

- KC101 : TL022
- KC102 : NE570
- KC103 : MN3007
- KC104 : MN3101
- KC105 : MC78L12CP
- Q101~Q105 : 2SK44SP
- Q106~Q108 : 2SK44SP
- Q109~Q105 : D101~D104 : MAT5C



**TOP VIEW**

**BOTTOM VIEW**

**Legend:**

- OUTPUT
- COMMON
- INPUT
- ANODE
- CATHODE
- SOURCE
- GATE
- DRAIN
- EMITTER
- COLLECTOR
- BASE

**Component List:**

- 1 Rect. Cap1
- 2 Rect. In1
- 3 AG Cell In1
- 4 GND
- 5 Inv. In1
- 6 Res. R<sub>1</sub>
- 7 Output
- 8 THD Trim1
- 9 THD Trim2
- 10 Output 2
- 11 Rect. R<sub>2</sub>
- 12 Inv. In2
- 13 V<sub>CC</sub>
- 14 AG Cell 2
- 15 Rect. In2
- 16 Rect. Op2

**NOTE**

- ▲ CERAMIC capacitor All ceramic capacitors are above 25V rating
- MYLAR capacitor All mylar capacitors are above 50V rating
- NP: NON POLAR capacitor

And all capacitors are ELECTROLYTIC capacitors, unless otherwise marked. Unless otherwise indicated: Resistance in Ω, K = K Ω, M = M Ω Resistors, 1/8W, ±5% rating Capacitance in pF = μ F