

SERVICE DOCUMENTATION



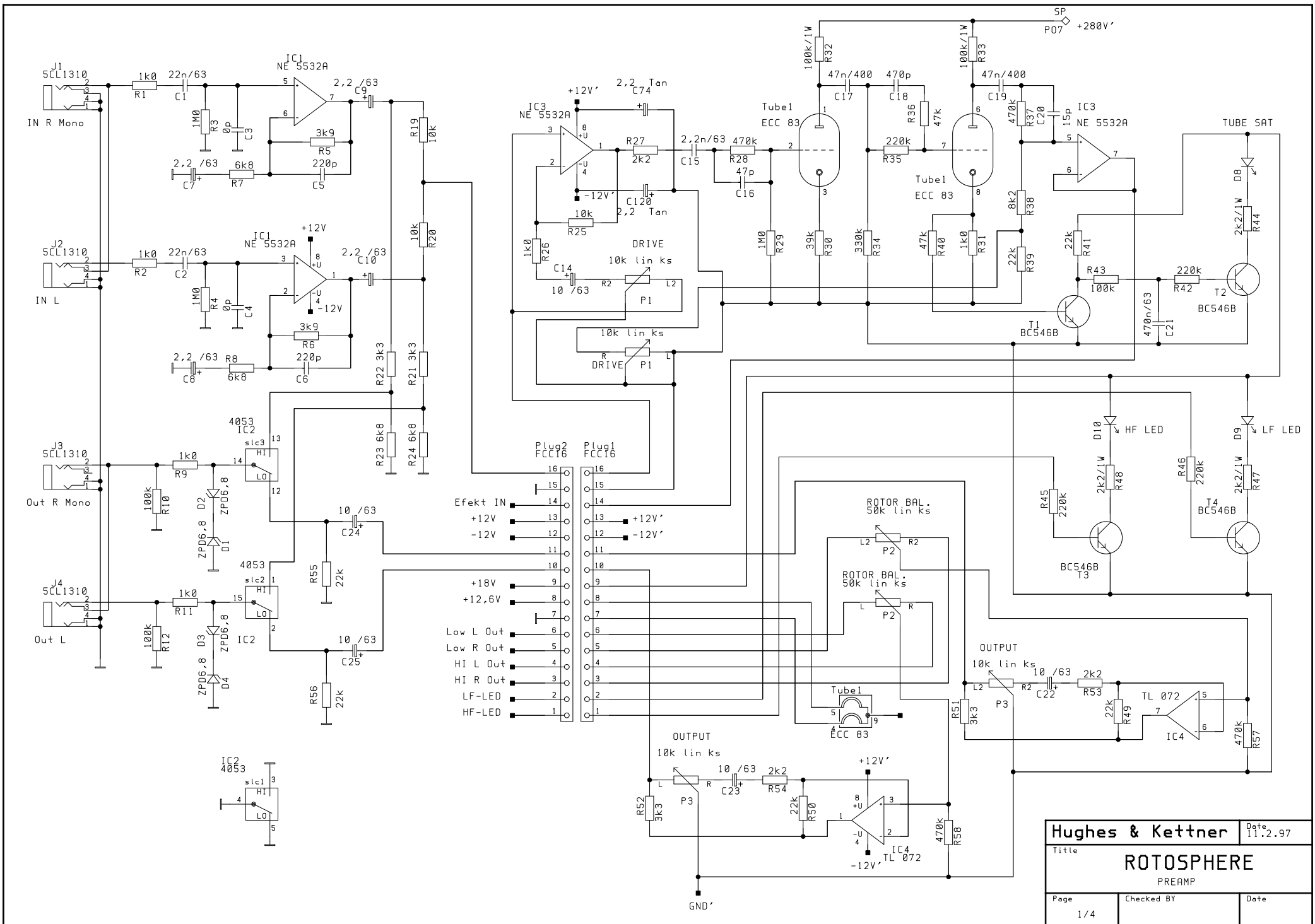
Rotosphere

Inhaltsverzeichnis/ Contents

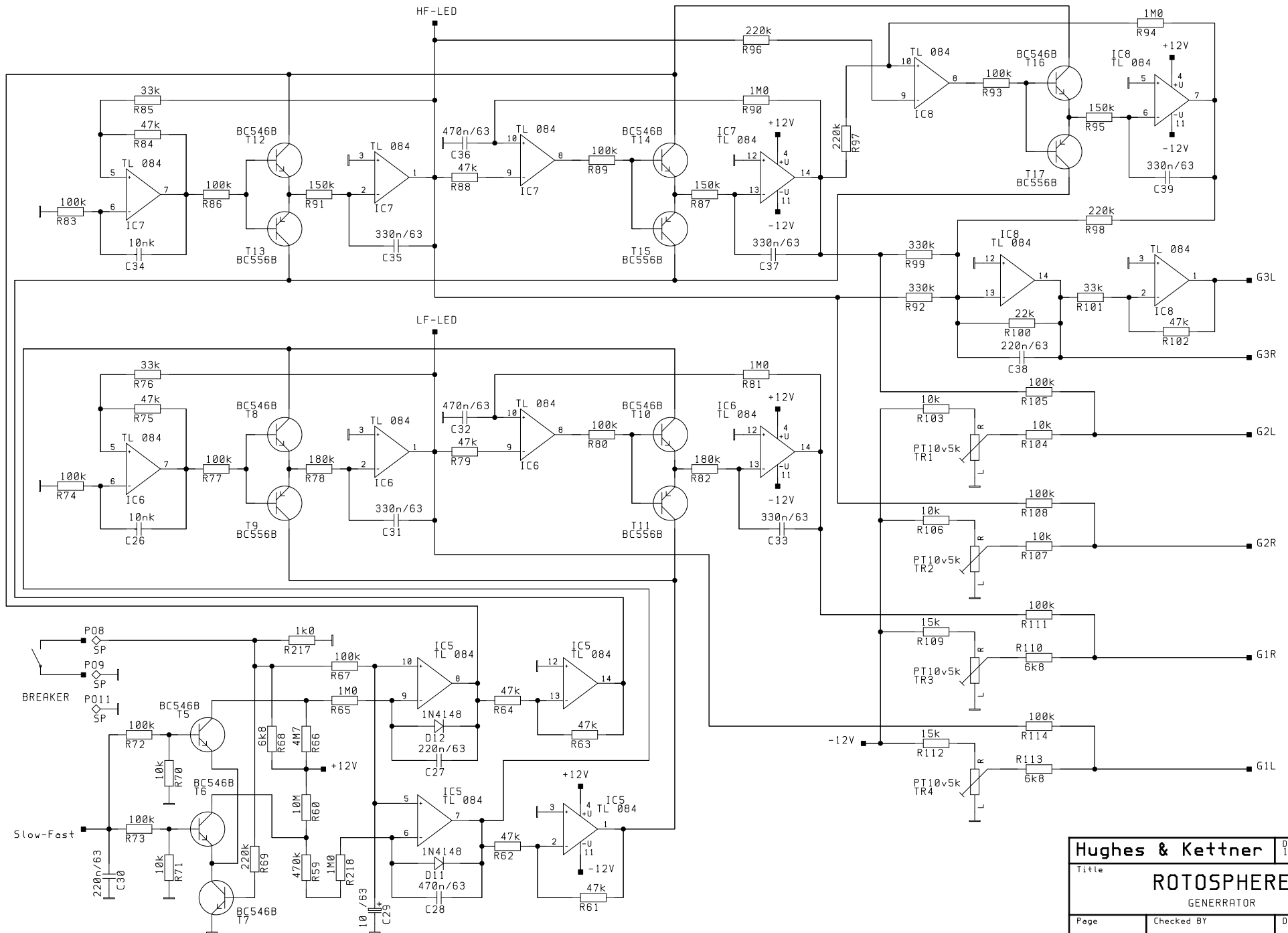
- 1 Schaltpläne/ schematic diagrams**
- 2 Bestückungspläne/ component parts**
- 3 Bestellnummern/ order no.**
- 4 Bestellinformationen/ ordering informations**
- 5 Technische Daten/ technical data**

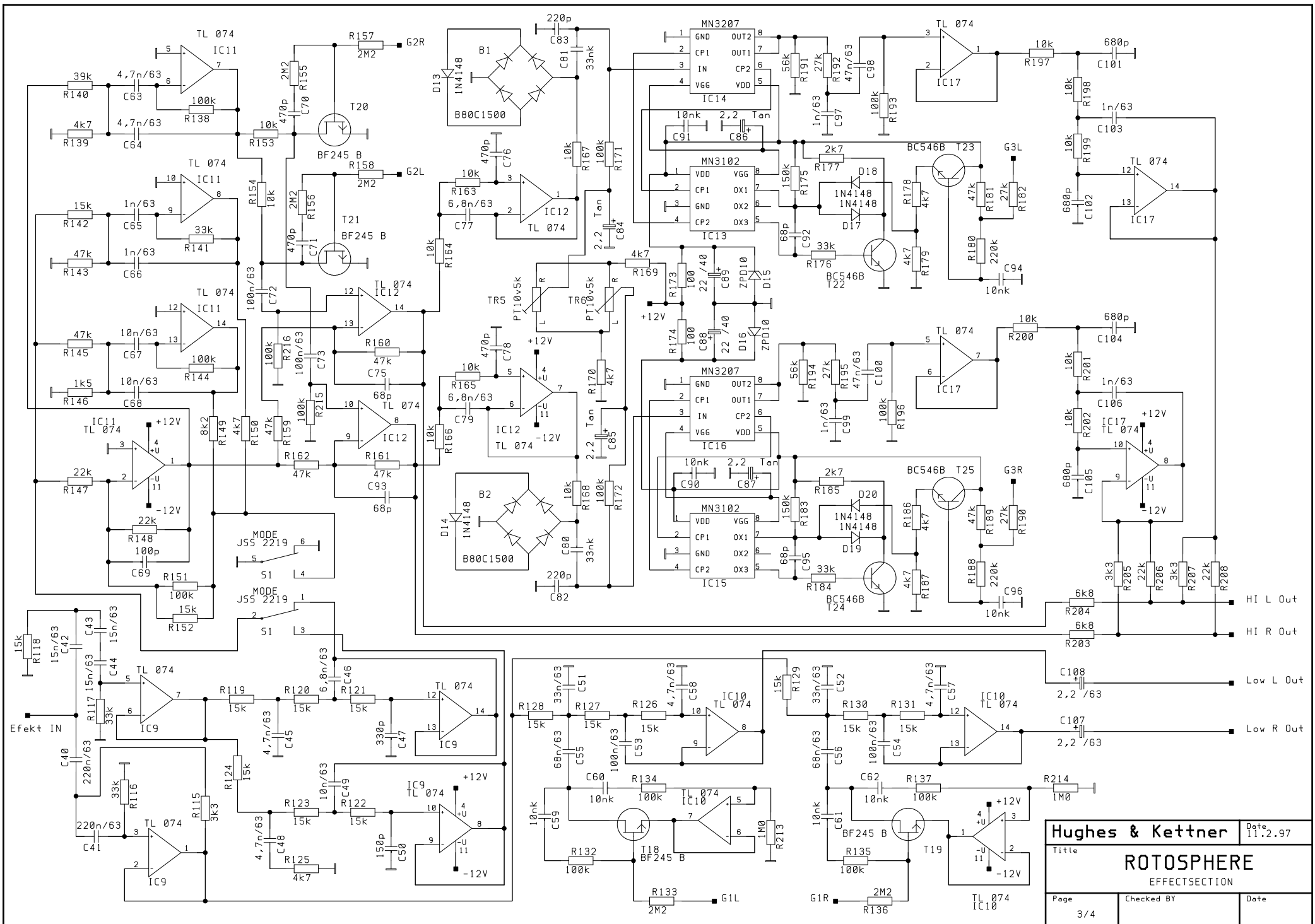
GD/ 17.11. 99

1 Schaltpläne/ schematics

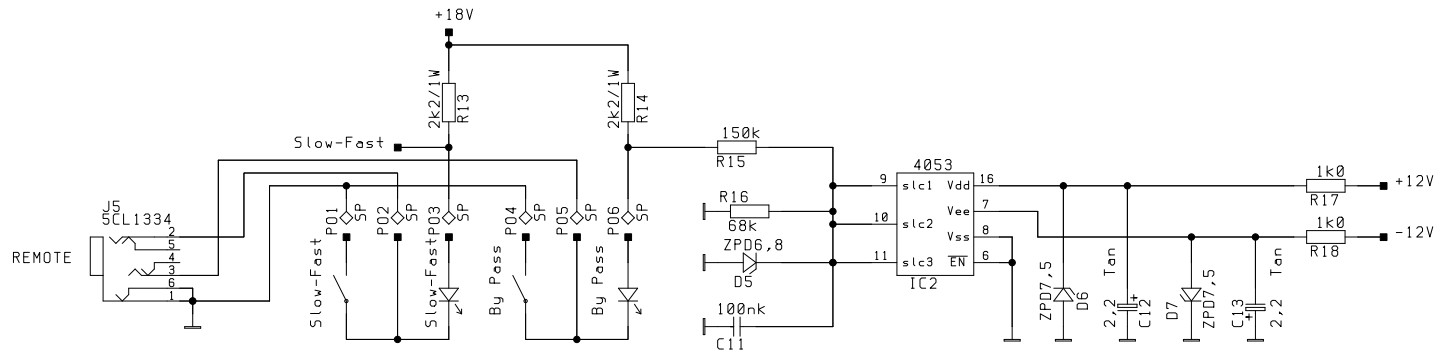
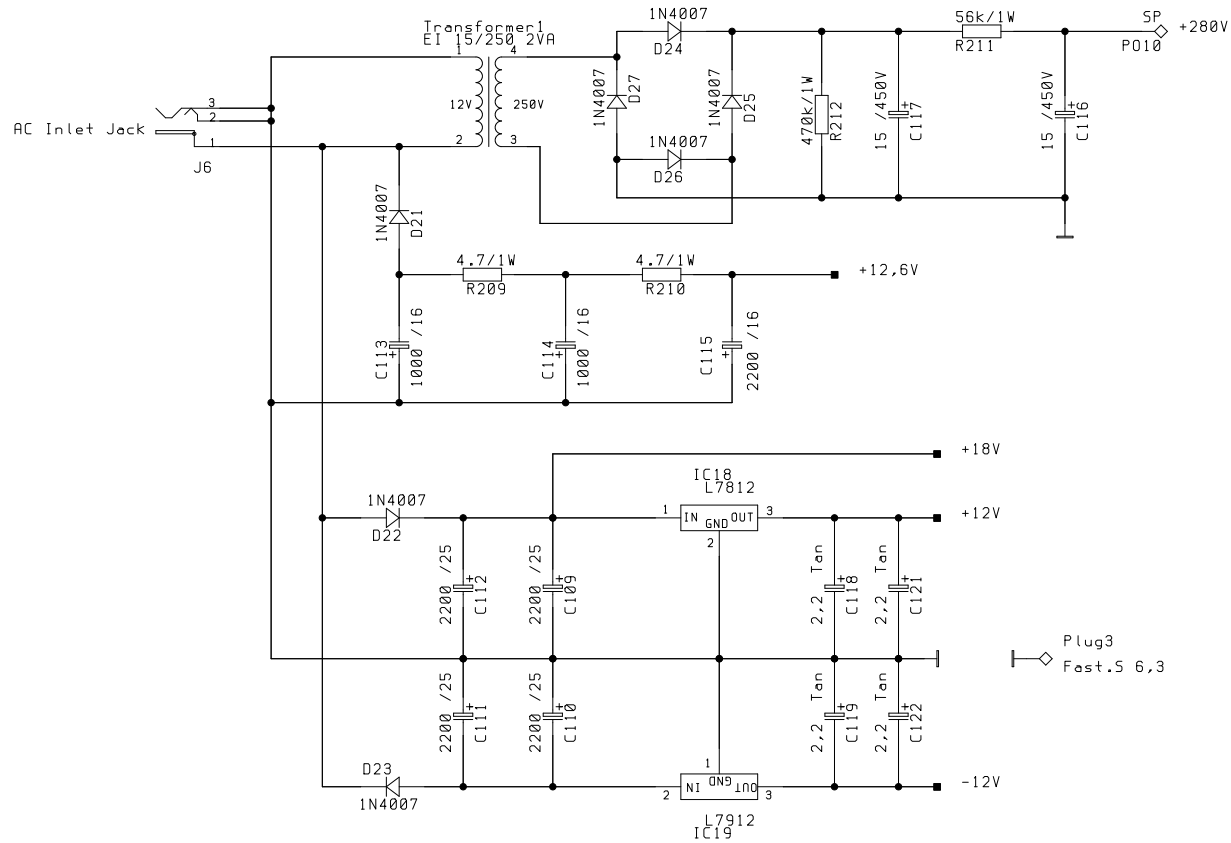


Hughes & Kettner		Date
Title		11.2.97
ROTSOSPHERE		
PREAMP		
Page	Checked BY	Date
1/4		





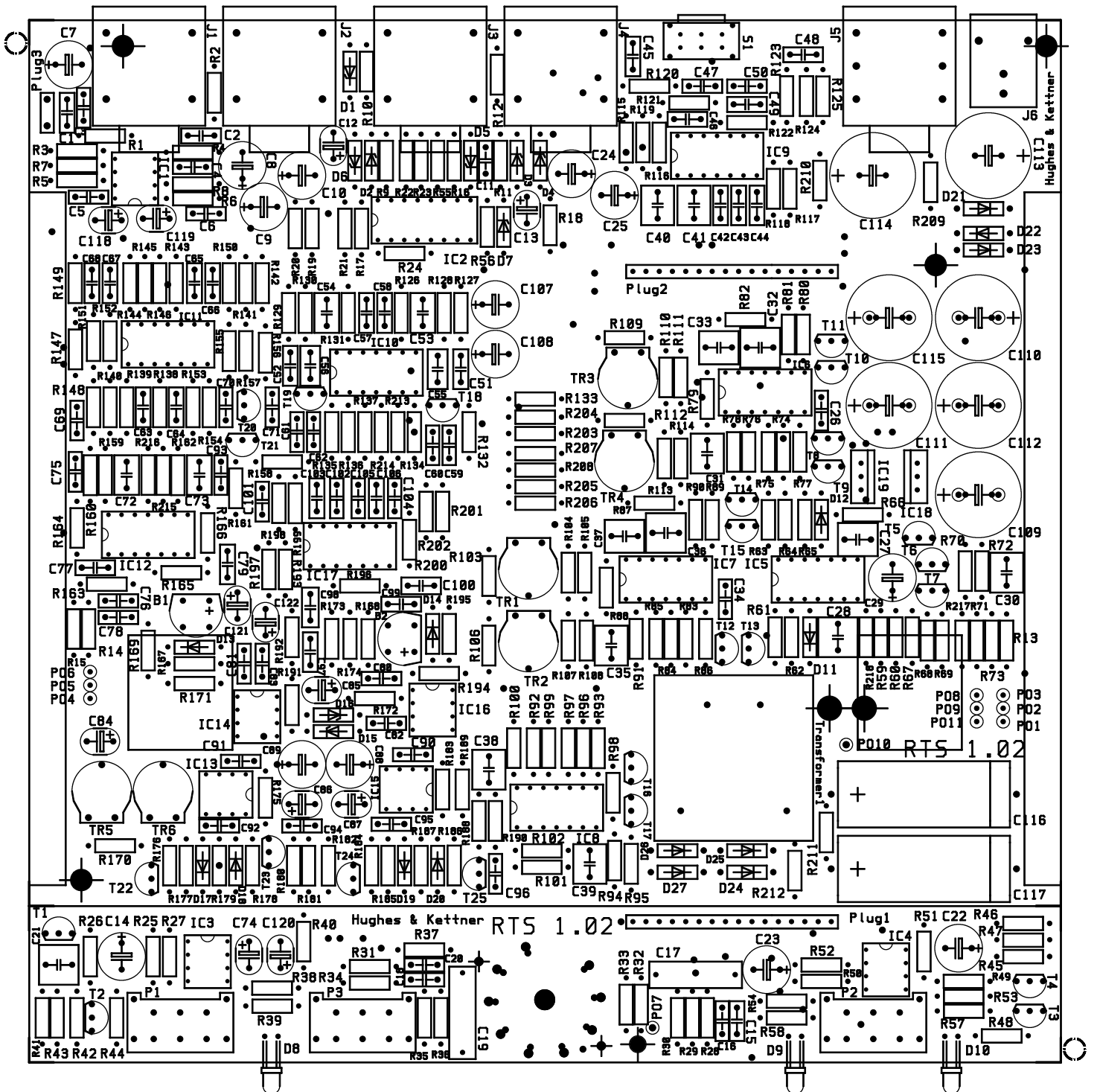
Hughes & Kettner		Date
Title		11.2.97
ROTOSPHERE		
EFFECTSECTION		
Page	Checked BY	Date
3/4		



Hughes & Kettner		Date 11.2.97
Title ROTSOPHERE POWERSUPPLY		
Page 4/4	Checked BY	Date

GD/ 17.11. 99

2 Bestückungspläne/ component parts



3 Bestellnummern/ order no. Rotosphere

no.	schematic position	name	specs	part no.
1	AC power pack	UK	240V	E 958 093
2	AC power pack	Europe	230V	E 958 090
3	AC power pack	USA/ CAN	117V	E 958 091
4	AC power pack	Japan	100V	E 958 092
5	transformer 1	transformer	EI 15V/ 250V/ 2VA	E 958 049
6	P1 (drive)	pot	10 K Ω lin, stereo	E 914 007
7	P2 (balance)	pot	50 K Ω lin, stereo	E 914 005
8	P3 (output)	pot	10 K Ω lin, stereo	E 914 007
9	S1 (mode)	switch	2 x um	E 950 031
10	C116	hv cap	15u/ 450V ax	E 926 006
11	C117	hv cap	15u/ 450V ax	E 926 006
12	D21- D27	diode	1N4007	E 934 023
13	T1	transistor	BC546B	E 938 009
14	T2	transistor	BC546B	E 938 009
15	T3	transistor	BC546B	E 938 009
16	T4	transistor	BC546B	E 938 009
17	T5	transistor	BC546B	E 938 009
18	T6	transistor	BC546B	E 938 009
19	T7	transistor	BC546B	E 938 009
20	T8	transistor	BC546B	E 938 009
21	T9	transistor	BC556B	E 938 012
22	T10	transistor	BC546B	E 938 009
23	T11	transistor	BC556B	E 938 012
24	T12	transistor	BC546B	E 938 009
25	T13	transistor	BC556B	E 938 012
26	T14	transistor	BC546B	E 938 009
27	T15	transistor	BC556B	E 938 012
28	T16	transistor	BC546B	E 938 009
29	T17	transistor	BC556B	E 938 012
30	T18	transistor	BF245B	E 938 028
31	T19	transistor	BF245B	E 938 028
32	T20	transistor	BF245B	E 938 028
33	T21	transistor	BF245B	E 938 028
34	T22	transistor	BC546B	E 938 009
35	T23	transistor	BC546B	E 938 009
36	T24	transistor	BC546B	E 938 009
37	T25	transistor	BC546B	E 938 009
38	IC 1	OP Amp	NE5532A	E 940 004
39	IC 2	Multiplexer	HCF 4053	E 940 002
40	IC 3	OP Amp	NE5532A	E 940 004
41	IC 4	OP amp	TL072	E 940 018
42	IC 5	OP amp	TL084	E 940 022
43	IC 6	OP amp	TL084	E 940 022
44	IC 7	OP amp	TL084	E 940 022
45	IC 8	OP amp	TL084	E 940 022
46	IC 9	OP amp	TL074	E 940 019
47	IC 10	OP amp	TL074	E 940 019
48	IC 11	OP amp	TL074	E 940 019
49	IC 12	OP amp	TL074	E 940 019
50	IC 13	BBD	MN3102	E 940 013
51	IC 14	BBD	MN3207	E 940 014
52	IC 15	BBD	MN3102	E 940 013
53	IC 16	BBD	MN3207	E 940 014
54	IC 17	OP amp	TL074	E 940 019

no.	schematic position	name	specs	part no.
55	IC 18	voltage reg.	L7812CV	E 940 041
56	IC 19	voltage reg.	L7912CV	E 940 042
57	tube 1	tube	ECC83/ 12AX7A	E 944 007
58	tube socket	socket	9pin/ pcb mount	E 944 003
59	J1- J4 (inputs/ outputs)	jack	1/4" phone jack mono	E 952 038
60	J5 (remote)	jack	1/4" phone jack stereo	E 952 041
61	J6 (ac)	jack	ac inlet	E 952 016
62	enclosure profile	alu profile	200 mm	E 970 252
63	enclosure front	front panel	steel sheet	E 970 253
64	enclosure sides	side profile	left + right plastic profile	E 970 255
65	enclosure pane	acrylglass	print: Hughes & Kettner	E 970 254
66	screws pane	M3 x 8	hexagon, vz	E 974 221
67	screws side profile	4 x 40	black	E 974 314
68	bottom foot	rubber foot	155 x 195 mm	E 972 012
69	slow- fast switch	switch	CIC 01-690B	E 950 011
70	bypass switch	switch	CIC 01-690B	E 950 011
71	breaker switch	switch	tristage	E 950 010
72	pot knob	pot knob	K7 black/ black	E 966 037

4 Bestellinformationen/ ordering informations

Bestellinformationen und Ersatzteilbestellungen

Deutschland:

Music & Sales

Leipziger Straße 3

D- 66606 St. Wendel

Service

Tel.: 06851/ 905 333

Fax: 06851/ 905 100

E-mail: service@musicandsales.com

Technische Fragen

Tel.:06851/ 905 330

E-mail: service@musicandsales.com

Sparepart orders and technical questions for all other countries:

contact your local distributor or

Hughes & Kettner

Leipzigerstr. 3

66606 St. Wendel

Germany

Tel.: +49 6851/905 210

Fax: +49 6851/905 200

Email: intlservice_handk@musicandsales.com

5 Technische Daten/ technical data

Rotosphere

Eingänge/ inputs:

Input right/ mono:	Buchse/ connection:	¼" phone jack
	Bauart Eingang/ input type:	unbalanced
	Eingangsimpedanz/ input impedance:	1 MΩ
	Empfindlichkeit/ sensitivity:	0 dB
	min. Eingangspegel/ min.input level:	-20 dB
	max. Eingangspegel/ max.input level:	+10 dB
Input left:	Buchse/ connection:	¼" phone jack
	Bauart Eingang/ input type:	unbalanced
	Eingangsimpedanz/ input impedance:	1 MΩ
	Empfindlichkeit/ sensitivity:	0 dB
	min. Eingangspegel/ min.input level:	-20 dB
	max. Eingangspegel/ max.input level:	+10 dB
Remote:	Buchse/ connection:	¼" phone jack stereo (Tip = bypass; Ring = slow/ fast)

Ausgänge/ outputs:

Output right/ mono:	Buchse/ connection:	¼" phone jack
	Bauart Ausgang/ output type:	unbalanced
	Ausgangsimpedanz/ output impedance:	3 kΩ
	Ausgangspegel/ output level:	0 dB
	max. Ausgangspegel/ max.output level:	+12 dB
Output left:	Buchse/ connection:	¼" phone jack
	Bauart Ausgang/ output type:	unbalanced
	Ausgangsimpedanz/ output impedance:	3 kΩ
	Ausgangspegel/ output level:	0 dB
	max. Ausgangspegel/ max.output level:	+12 dB

Allgemeine elektrische Daten/ general electrical data:

Schutzklasse II/ protection class 2 (protectively isolated)	
verschiedene Netzteilversionen/ different AC power packs:	230V/ 117V/ 100V
max. Stromaufnahme/ max. current:	720 mA @ 13,4Vac
max. Leistungsaufnahme/ max. power consumption:	10 VA
Netzspannungsbereich/ mains voltage range:	+/- 10 %
Umgebungstemperaturbereich/ temperatur range:	- 10 °C bis + 60 ° C

Allgemeine mechanische Daten/ general mechanical data:

Abmessungen/ sizes:	Breite/ width: 205 mm	Höhe/ height: 80 mm	Tiefe/ depth: 215 mm
Gewicht/ weight:	1,7 kg ohne Netzteil/ without AC power pack		
	2,05 kg mit Netzteil/ with AC power pack		