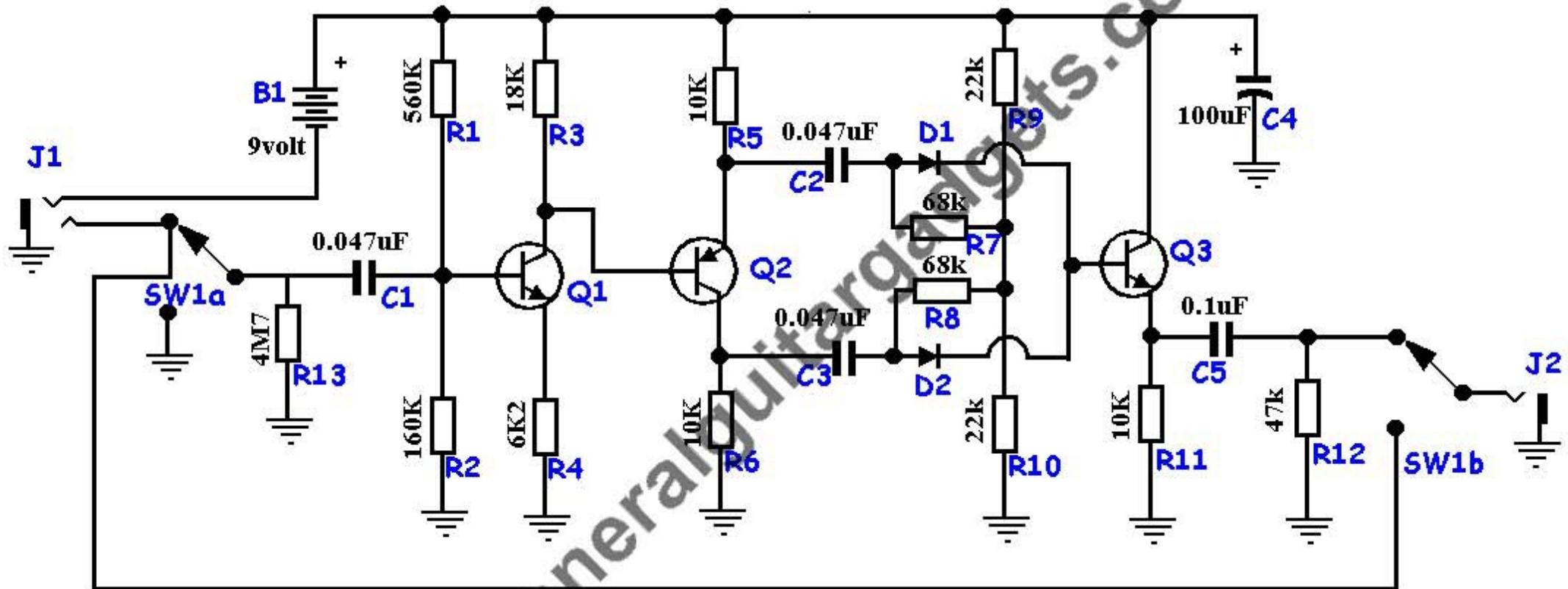


# Green Ringer



Q1, Q3 = 2N5088 or 2N5089

Q2 = 2N3906 (low gain)

D1, D2 = Diodes, matched set, Si, Ge or Schottky

SW1a, SW1b - DPDT heavy duty footswitch