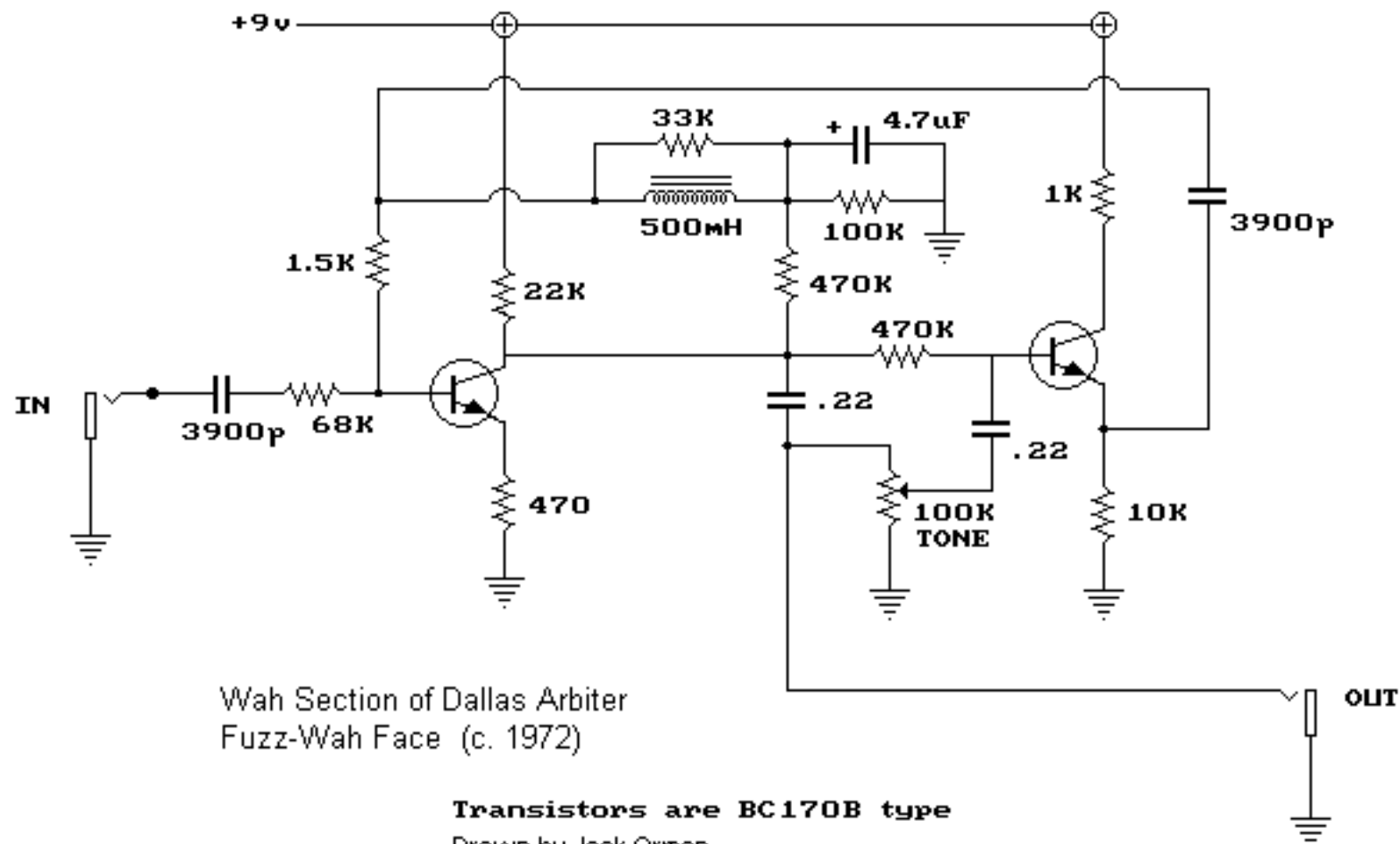


Q1 is unmarked in the original I examined
It is probably a high gain, low noise type

Dallas Arbiter Fuzz-Wah Face
Distortion Section (c. 1972)

Drawn by Jack Orman
<http://members.aol.com/jorman/>



Transistors are BC170B type

Drawn by Jack Orman

<http://members.aol.com/jorman/>