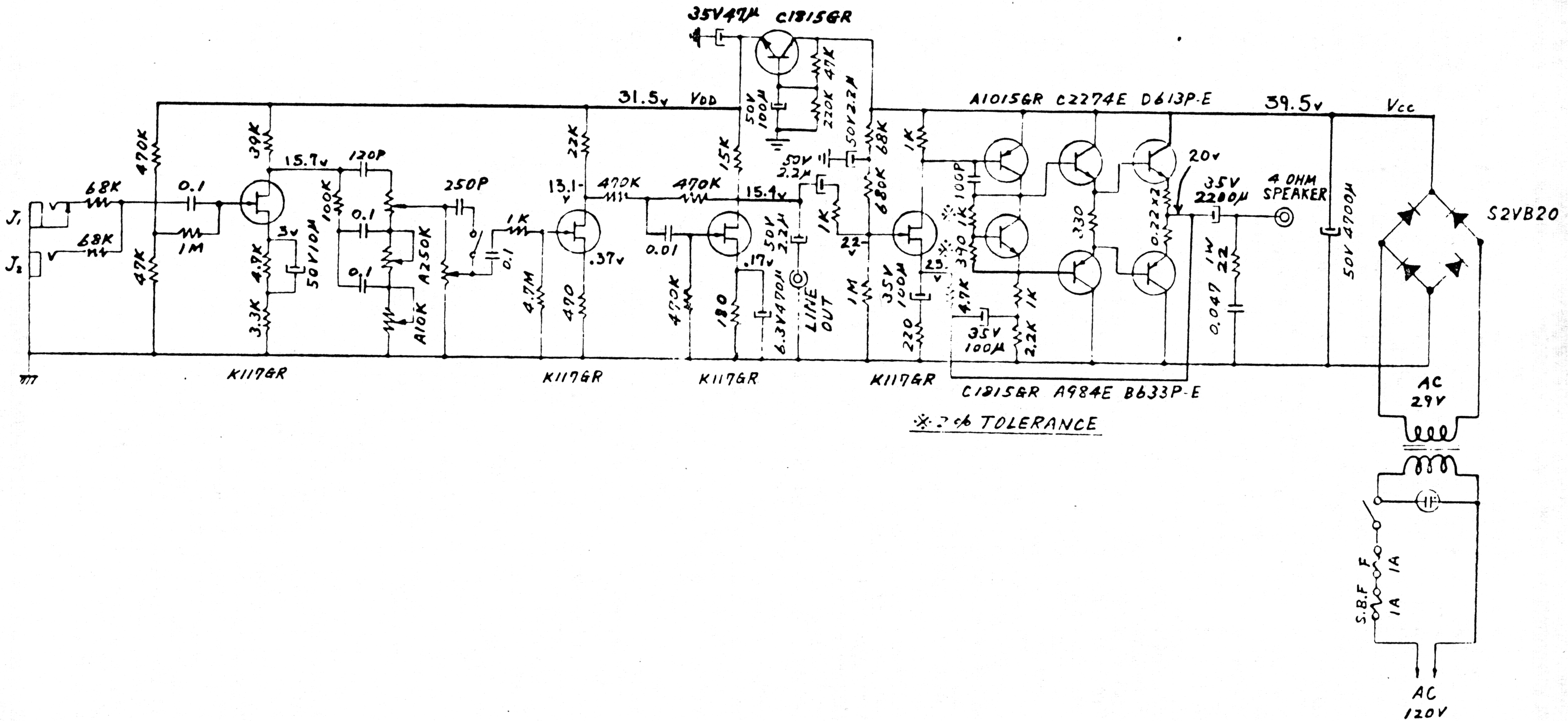


NOTE — THE "FET" DRAIN VOLTAGE WILL VARY ± 20% AND STILL MAINTAIN PROPER OPERATING CONDITIONS OF GAIN AND LOW DISTORTION. ALL READINGS ARE +VDC UNLESS OTHERWISE SPECIFIED.

NOTE — ALL VOLTAGE READINGS TAKEN WITH BK 283 — 3½ DIGIT MULTI-METER. A.C. LINE +120V. 60 HZ. ALL CONTROLS "0"



Unicord.

a Division of Bell & Western Manufacturing Company  
89 First Street Westbury, N.Y. 11590

Westbury  
Model 255-110 Bass Amplifier  
255-115 Bass Amplifier