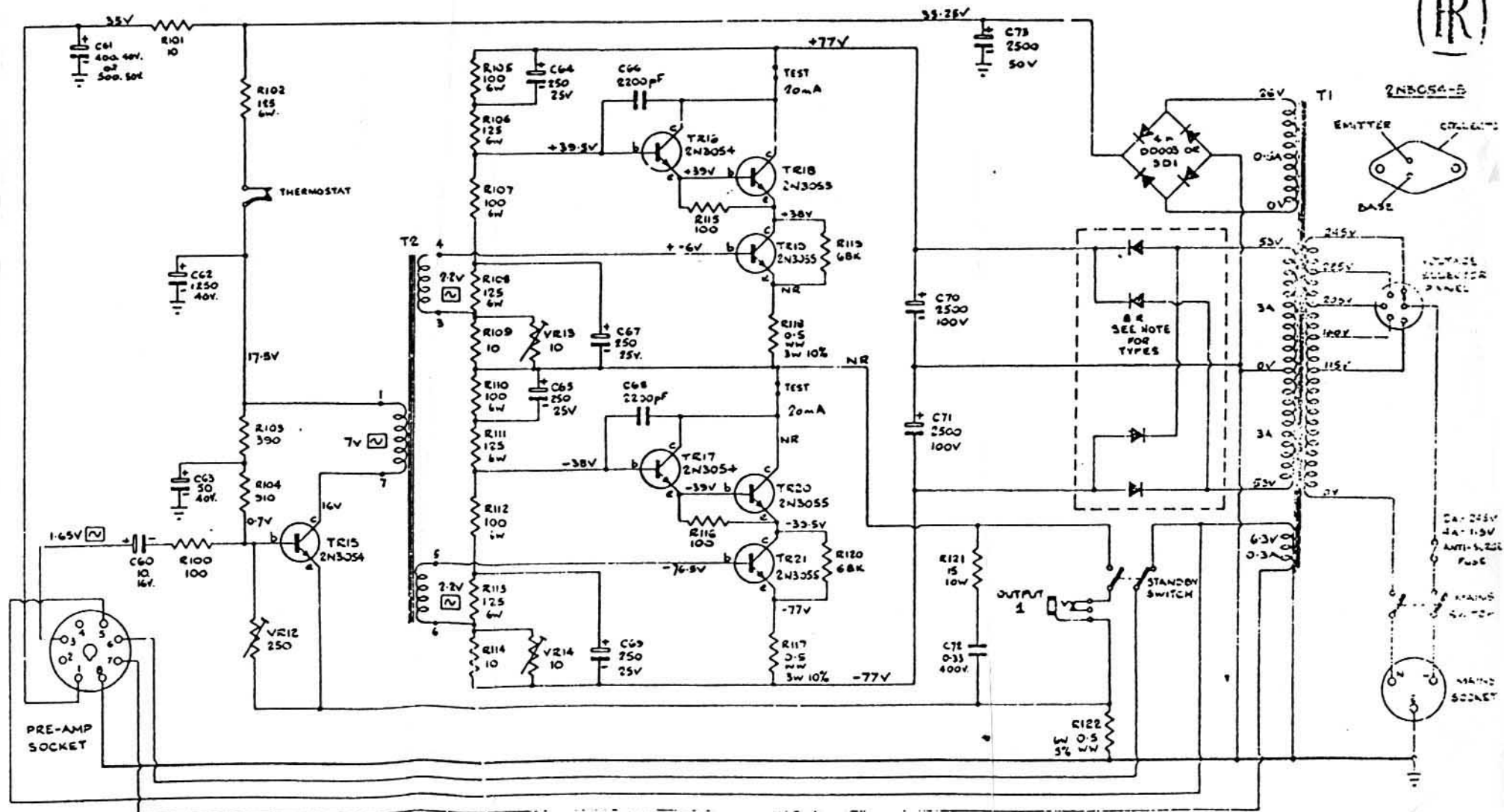


DO NOT SCALE

IF IN DOUBT ASK

THIRD ANGLE PROJECTION



Ⓜ = SIGNAL VOLTAGES FOR 100WATT OUTPUT, TEST SIGNAL 1KHZ
 ALL D.C. VOLTAGE READINGS TAKEN ON AVO B.
 VARIATIONS IN VOLTAGE READINGS DUE TO TRANSISTOR
 SPREADS WILL BE FOUND.
 ALL D.C. VOLTAGE READINGS WITH RESPECT TO EARTH.

NOTE - BRIDGE RECTIFIER TYPES 5B20T
 OR 5TC 70C501302500U

DRG No. 05/125