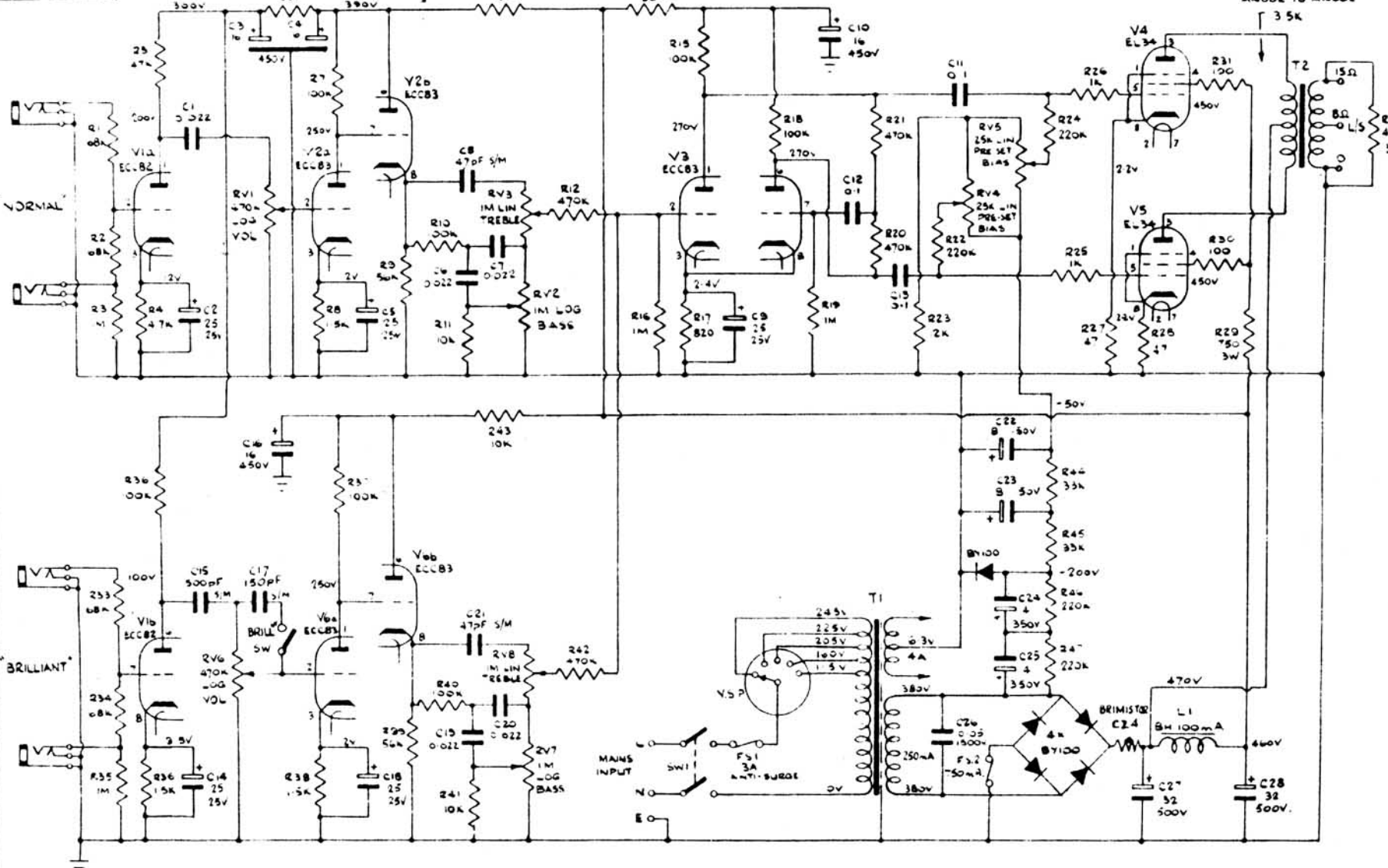


05/072



R15 & R18 TO BE HIGH STABILITY.  
 BIAS SETTING - ADJUST TO GIVE 2.2V DC ACROSS THE 47Ω CATHODE RESISTORS IN THE EL34S  
 ALL RESISTORS 1W 10% UNLESS SHOWN  
 ALL CAPACITORS 400V POLYSTYRENE UNLESS SHOWN  
 ALL CAPACITORS IN MFDS UNLESS OTHERWISE STATED.  
 ALL RESISTORS IN OHMS " " " "

1-12-45	SCALE	TITLE	DRW
C17 HAS 100PF	DIAG	A C 50/4 AMPLIFIER MK III	J. S. Hughes
BRILLIANT SW	FIN		CHEK
ADDED	TOL	JENNINGS MUSICAL INDUSTRIES LTD	APP
14-10-65		DARTFORD KENT.	PRG No
17-1-65			05/072
ISS CHANGES			