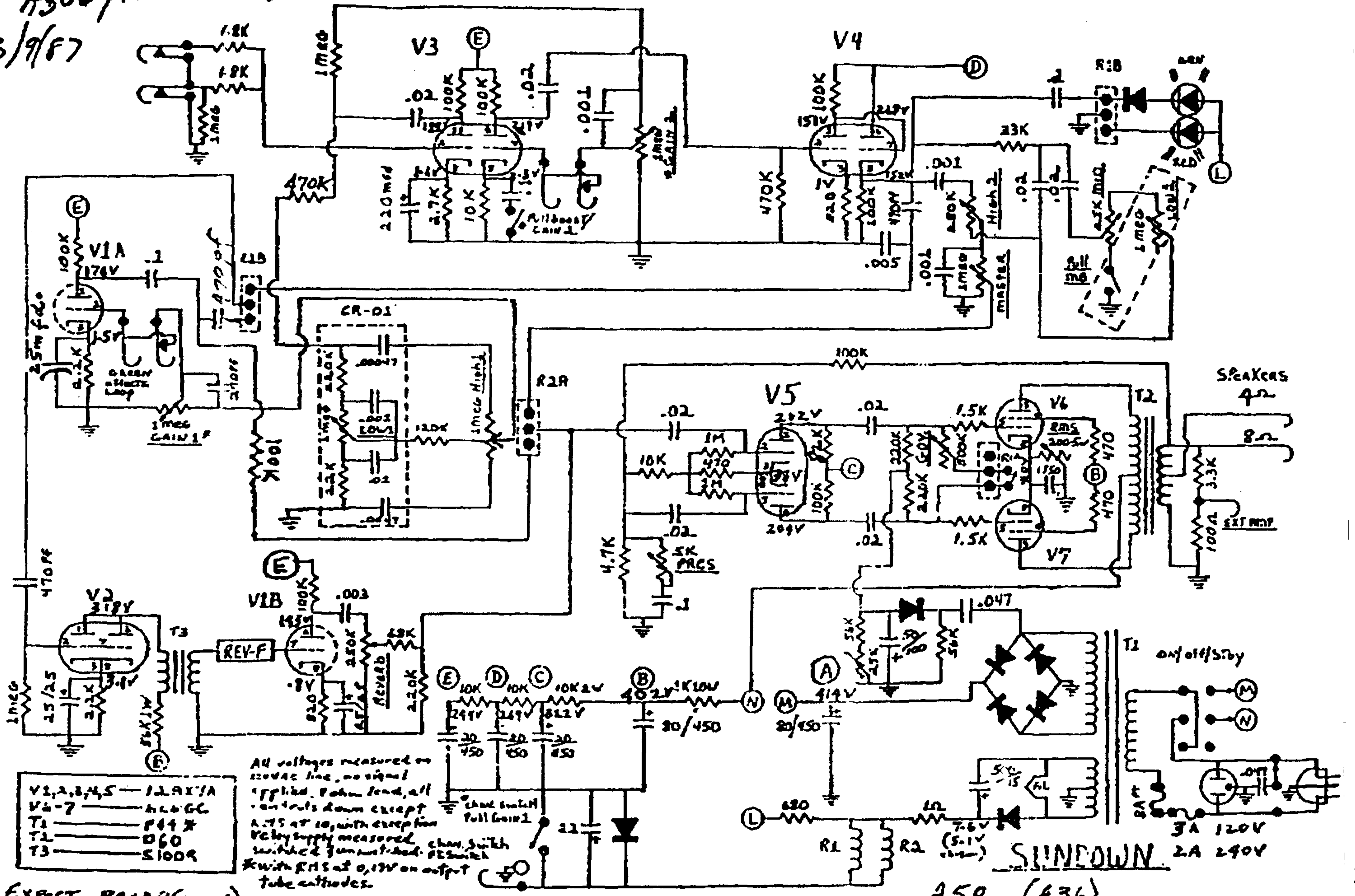


ORIGINAL
A50 print (A36)
3/9/87

FROM CNTL JRSV MU SUC



V1,2,3,4,5	12AX7A
V6-7	6X4GC
T1	P44*
T2	060
T3	S100R

All voltages measured on
cathode line, no signal
applied. Bohn lead, all
-entails down except
A-75 at 10, with exception
V6 by supply measured. chan. switch
switched 300µF. 25 switch
*with R1S at 0.19V on output
tube cathodes.

EXPORT P94DF(240V)

SUNDOWN
A50 (A36)
3/9/87

Handwritten signature