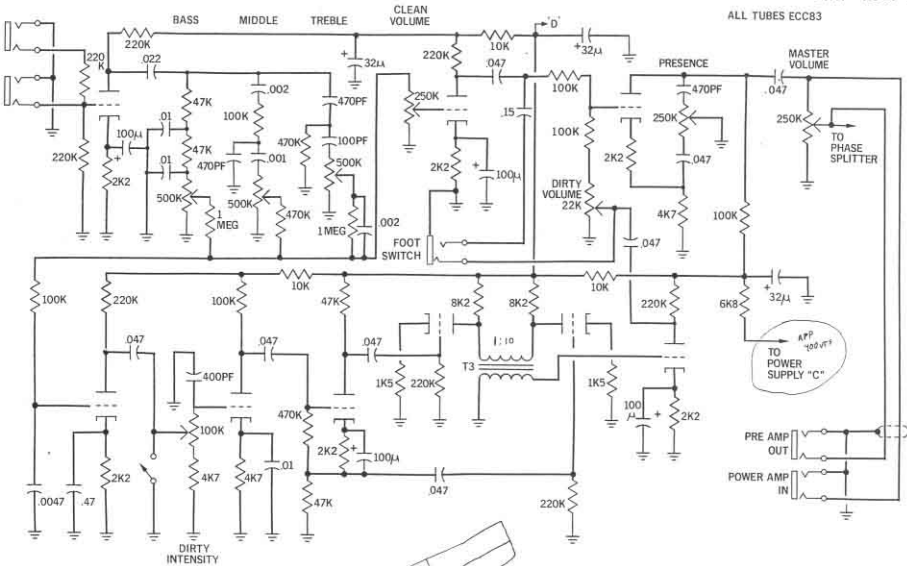


# SMF Tour Series

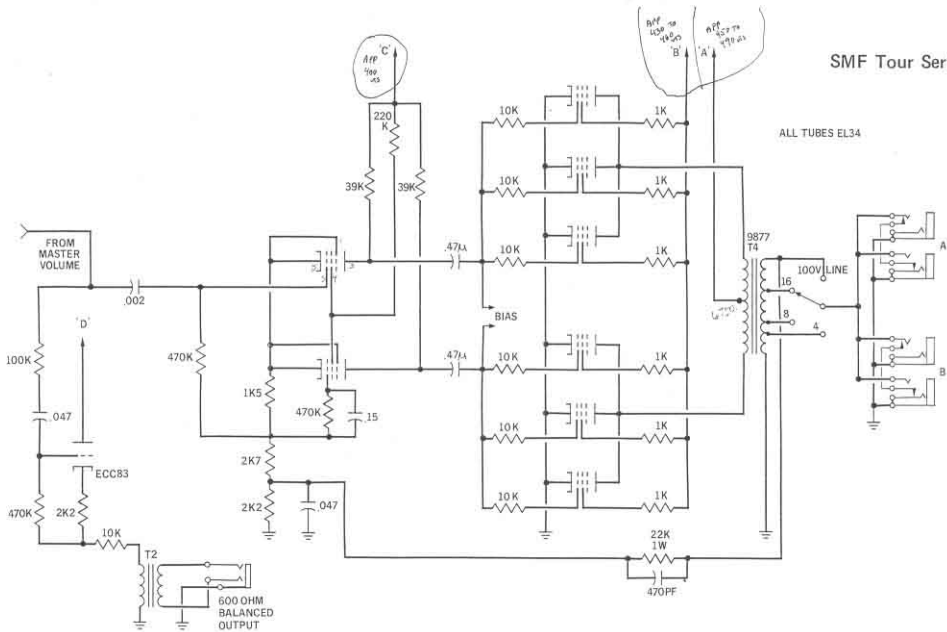


T-3 =  $9\mu$  /  $56\mu$

SOUND CITY AMPLIFIER SMF TOUR SERIES

# SMF Tour Series

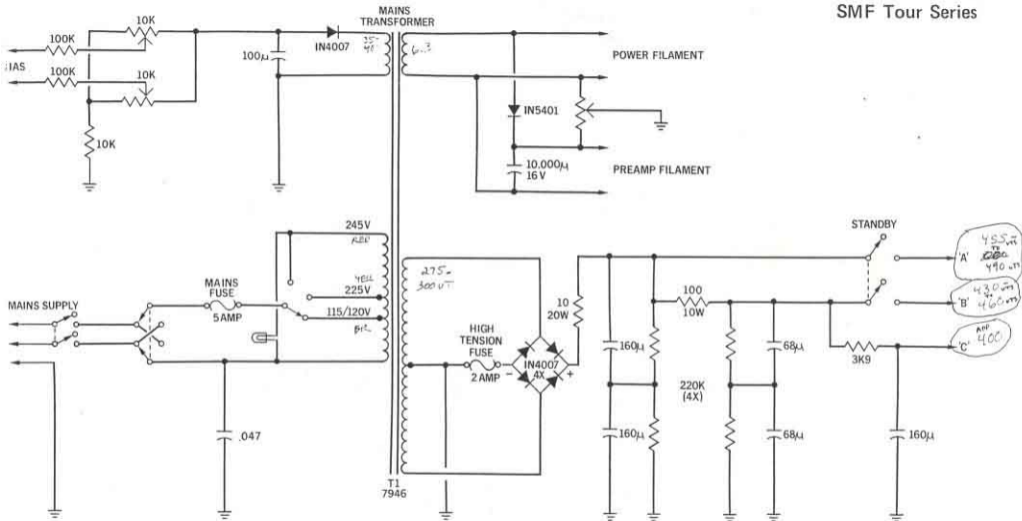
ALL TUBES EL34



SOUND CITY AMPLIFIER SMF TOUR SERIES

**A J Tashjian Scan**

# SMF Tour Series



SOUND CITY AMPLIFIER SMF TOUR SERIES

A J Tashjian Scan