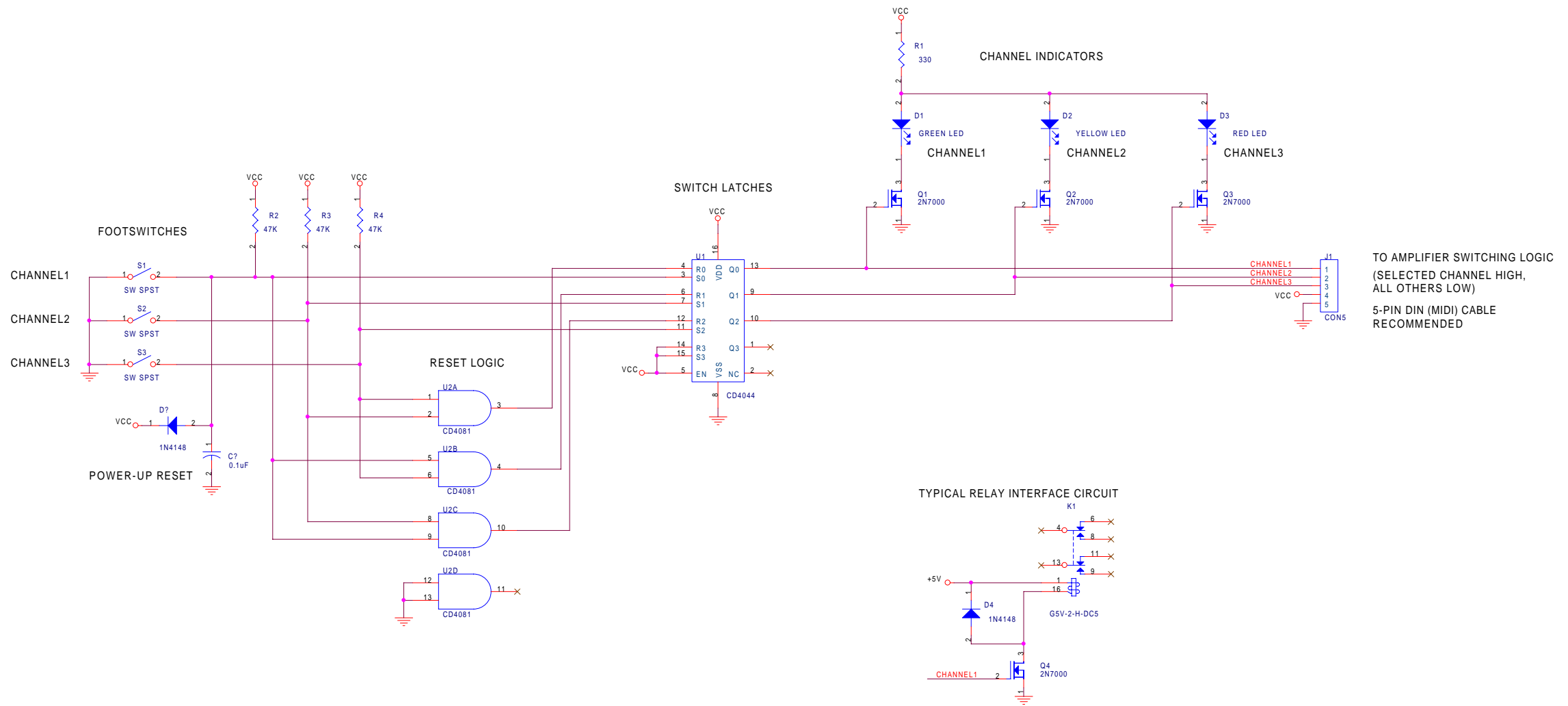


Title	SOLDANO X88R
Size	1
C	Document Number
Date	Friday, July 12, 2002
Sheet	1 of 1
Rev	1



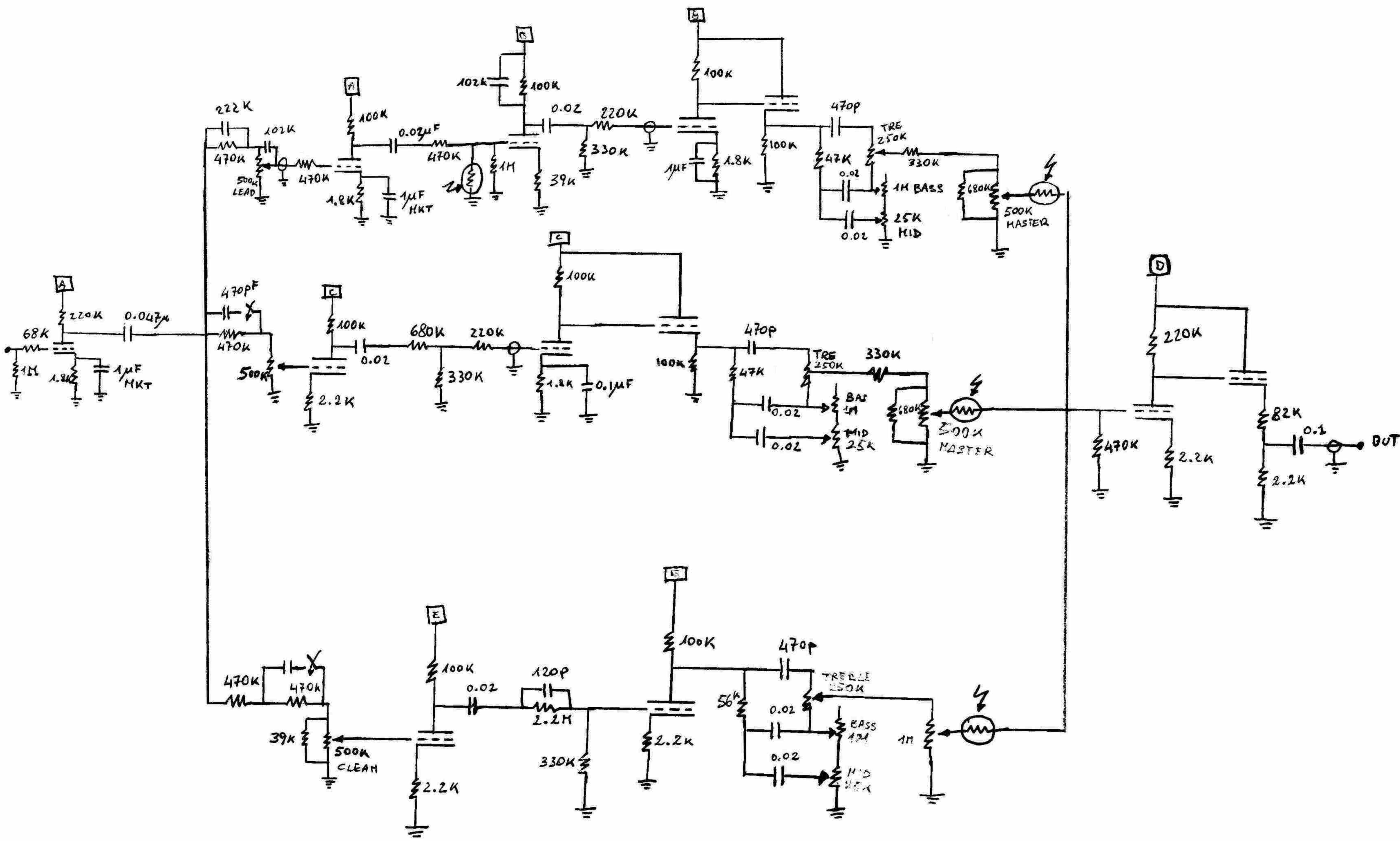
REV:	Initial design: Randall Aiken



- NOTES:
- (1) ALL SWITCHES ARE MOMENTARY CONTACT SPST
  - (2) VCC SUPPLY CAN RANGE FROM 5V TO 15V
  - (3) OUTPUT CONTROL SIGNALS ARE CMOS-COMPATIBLE LEVELS (CAN SOURCE/SINK AROUND 0.5mA MAX AT 5V).
  - (4) LED CURRENT LIMITING RESISTOR VALUE IS FOR 5V. IT MAY NEED TO BE LARGER FOR HIGHER VCC VOLTAGES
  - (5) ALL PARTS AVAILABLE FROM DIGI-KEY (1-800-DIGIKEY)

**AIKEN AMPLIFICATION**  
 10836 CLEMSON BLVD.. #208  
 SENECA, SC 29678  
 TEL: 864-624-9796 FAX: 864-624-9797

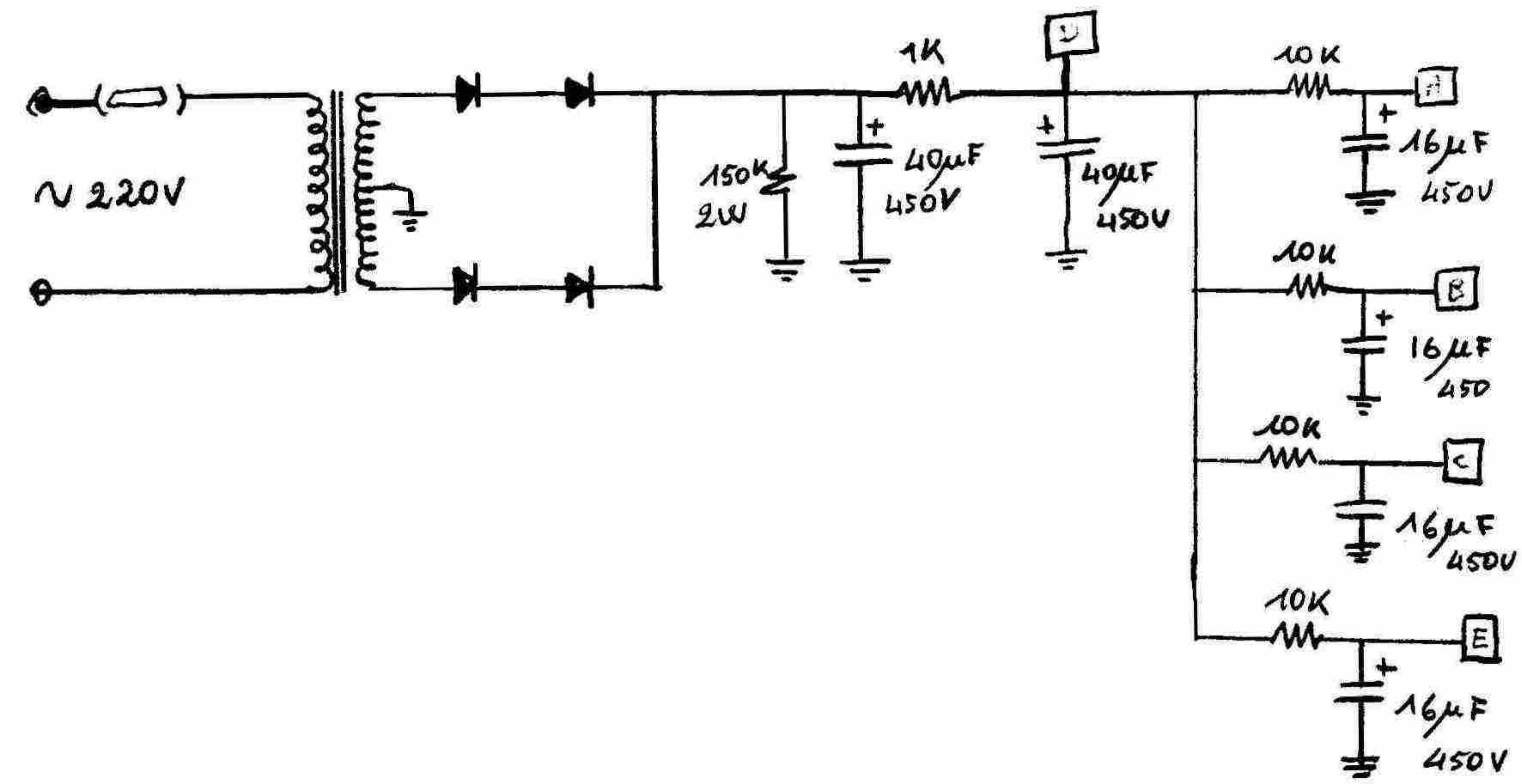
Title		3-CHANNEL FOOTSWITCH CONTROLLER
Size	Document Number	Rev A
Date:	Tuesday, June 22, 1999	Sheet 1 of



SOLDANO x88R

PRE AMP





SOLDANO x 88 R  


---

 POWER SUPPLY - SWITCHING SECTION