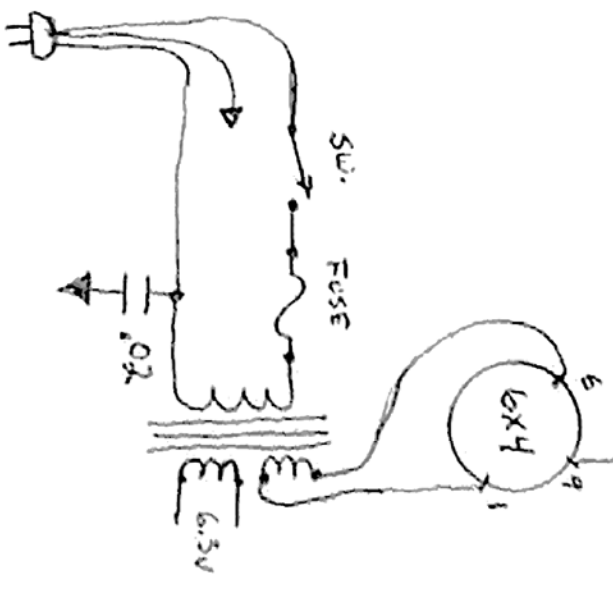
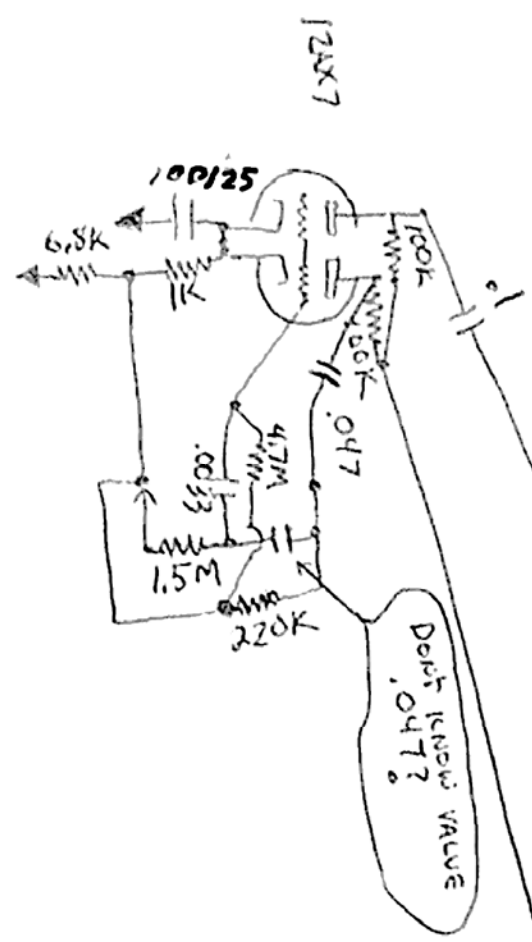
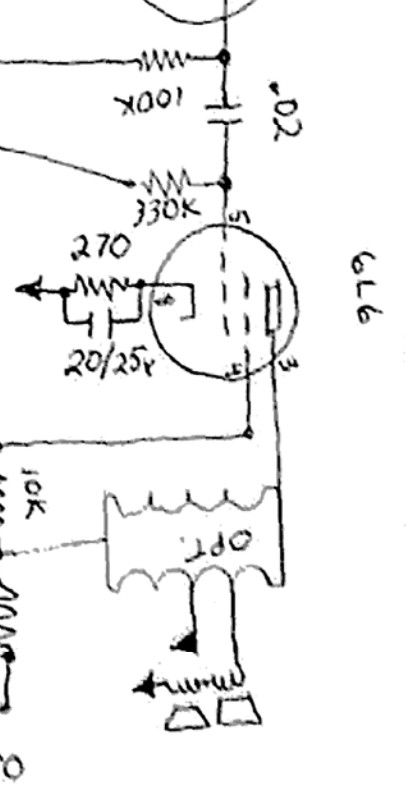
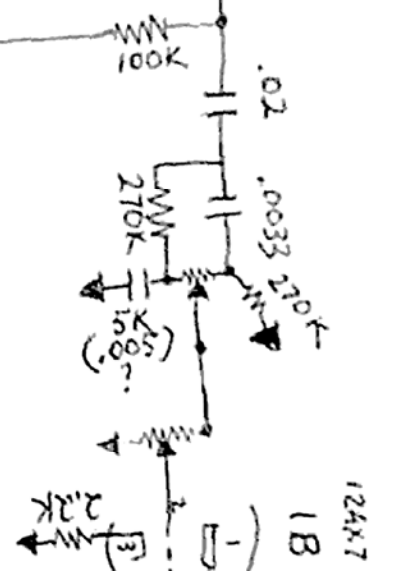
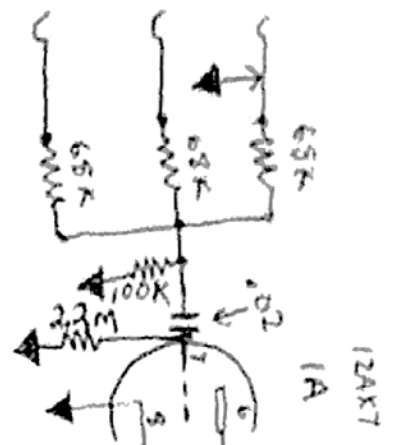
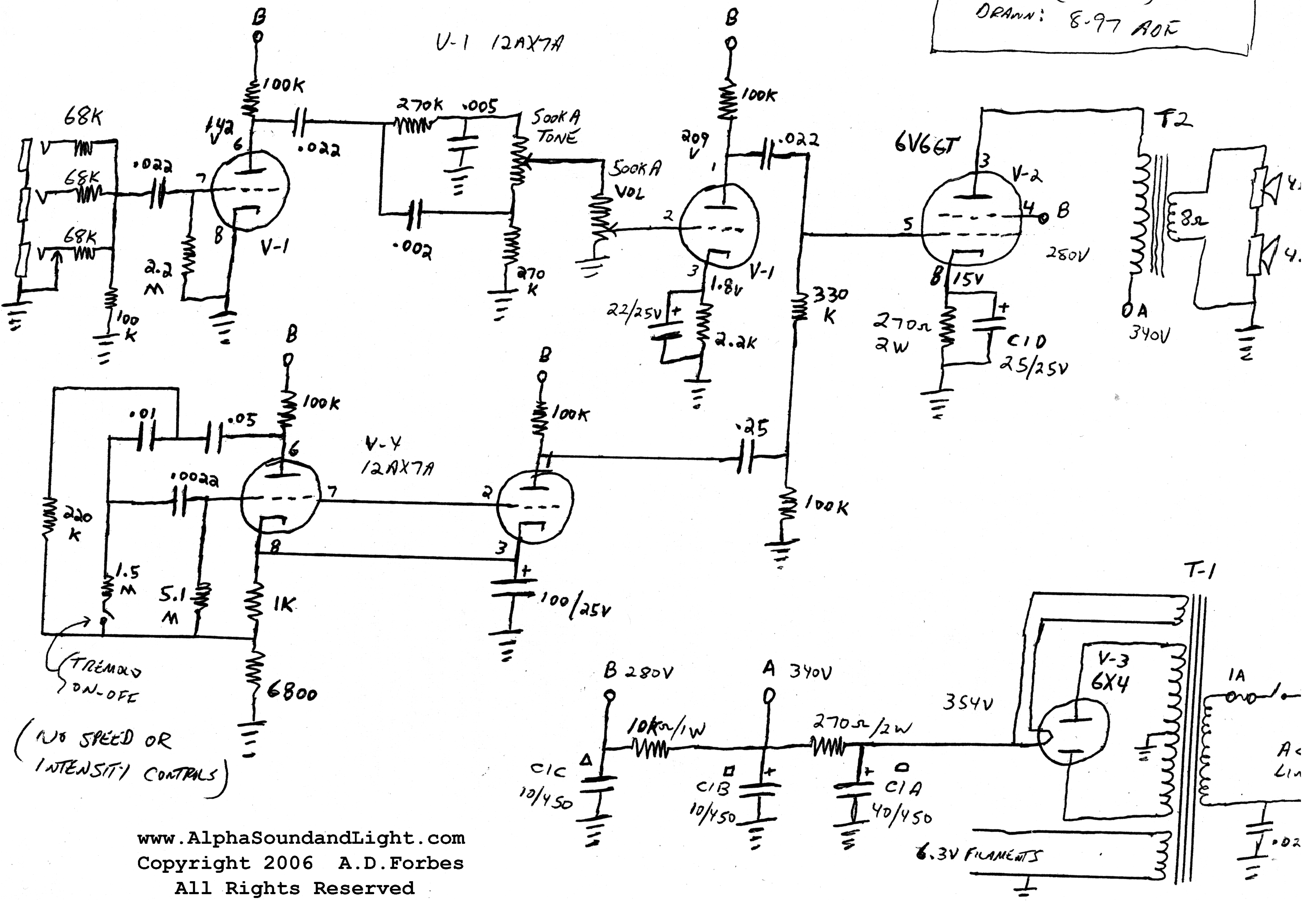


1. 2 M.C.

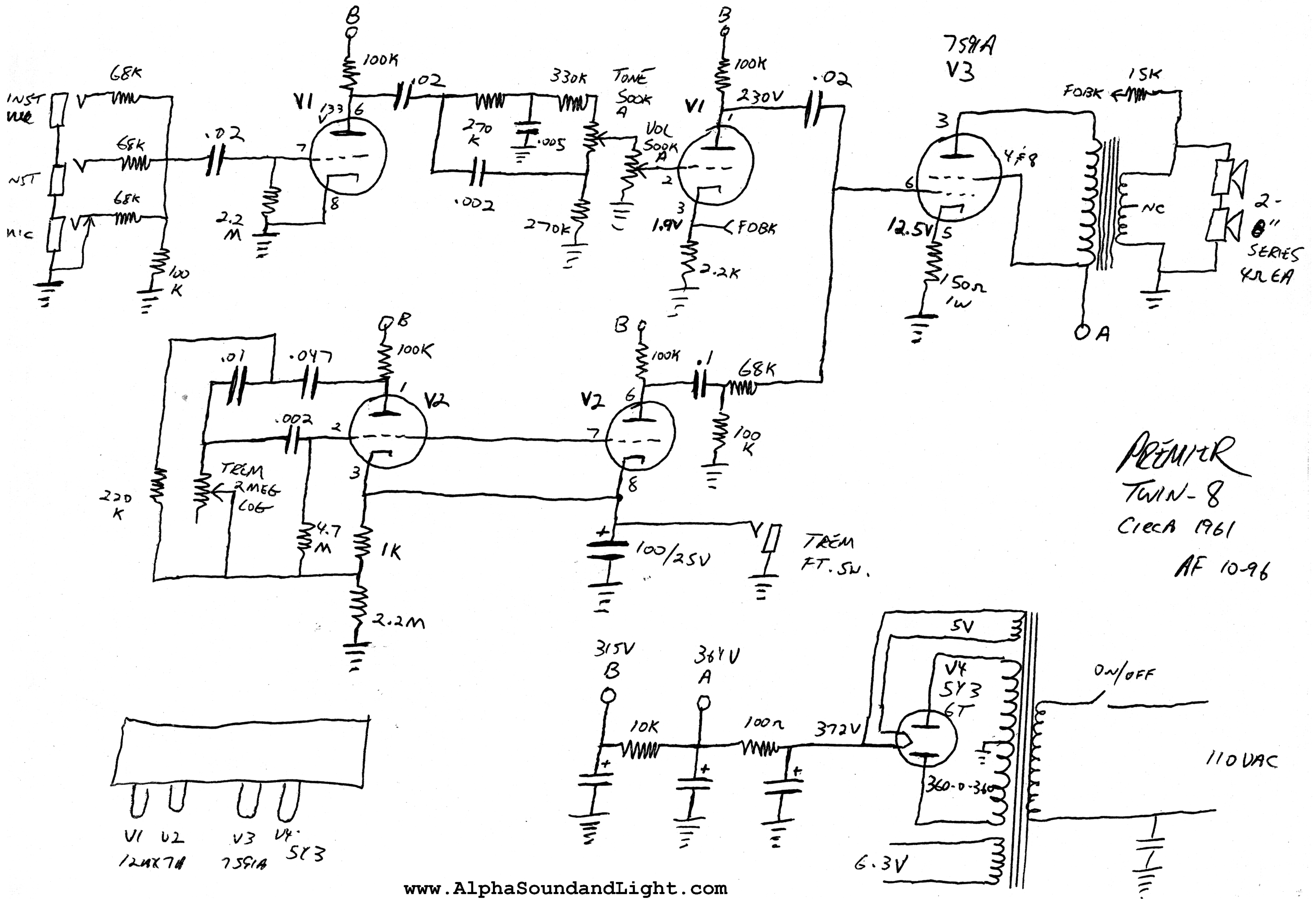


(ORIGINAL)

PREMIER TWIN-8  
EARLY (1959-60) VERSION  
DRAWN: 8-97 AOF

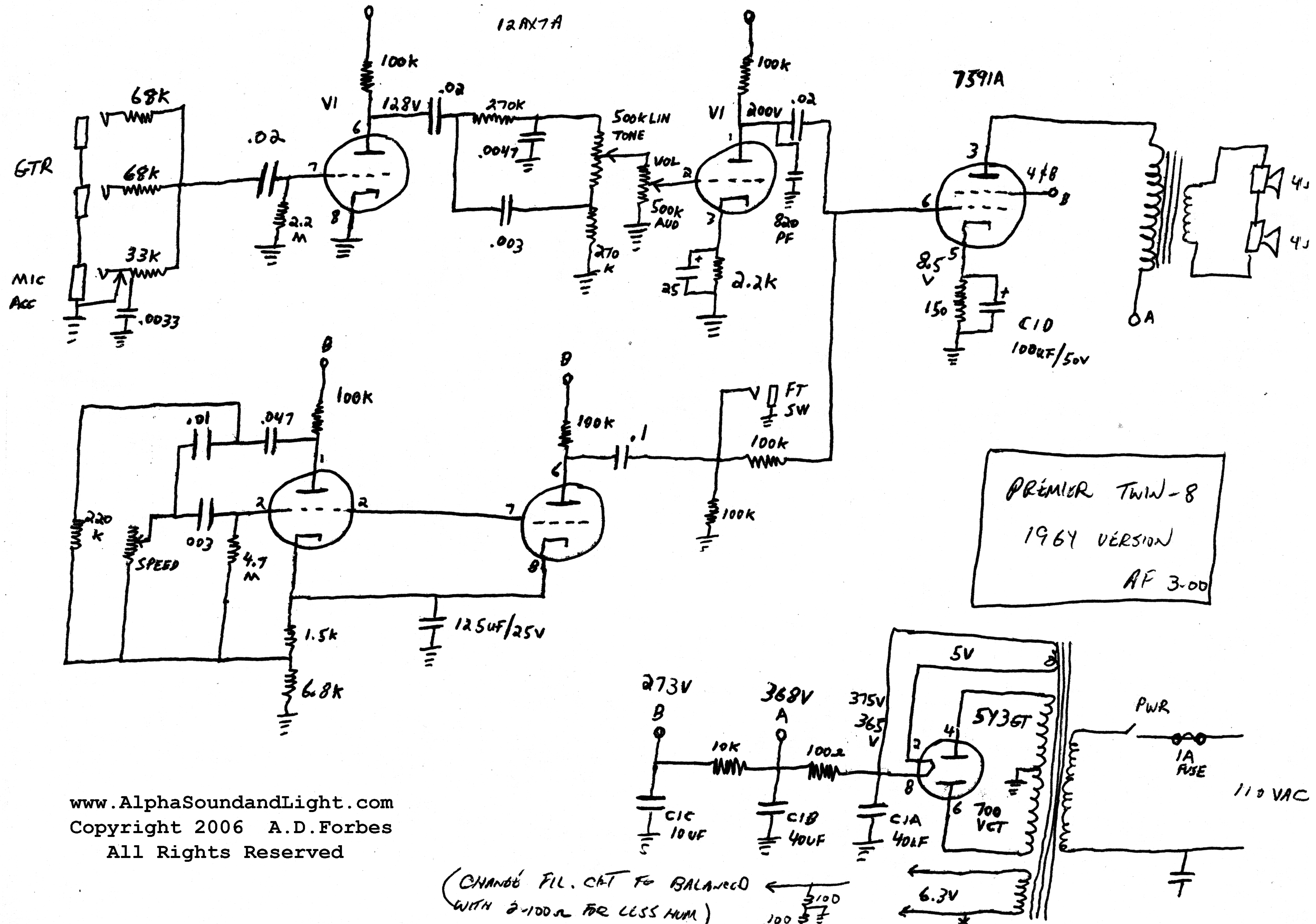


TREMOR ON-OFF  
(NO SPEED OR INTENSITY CONTROLS)



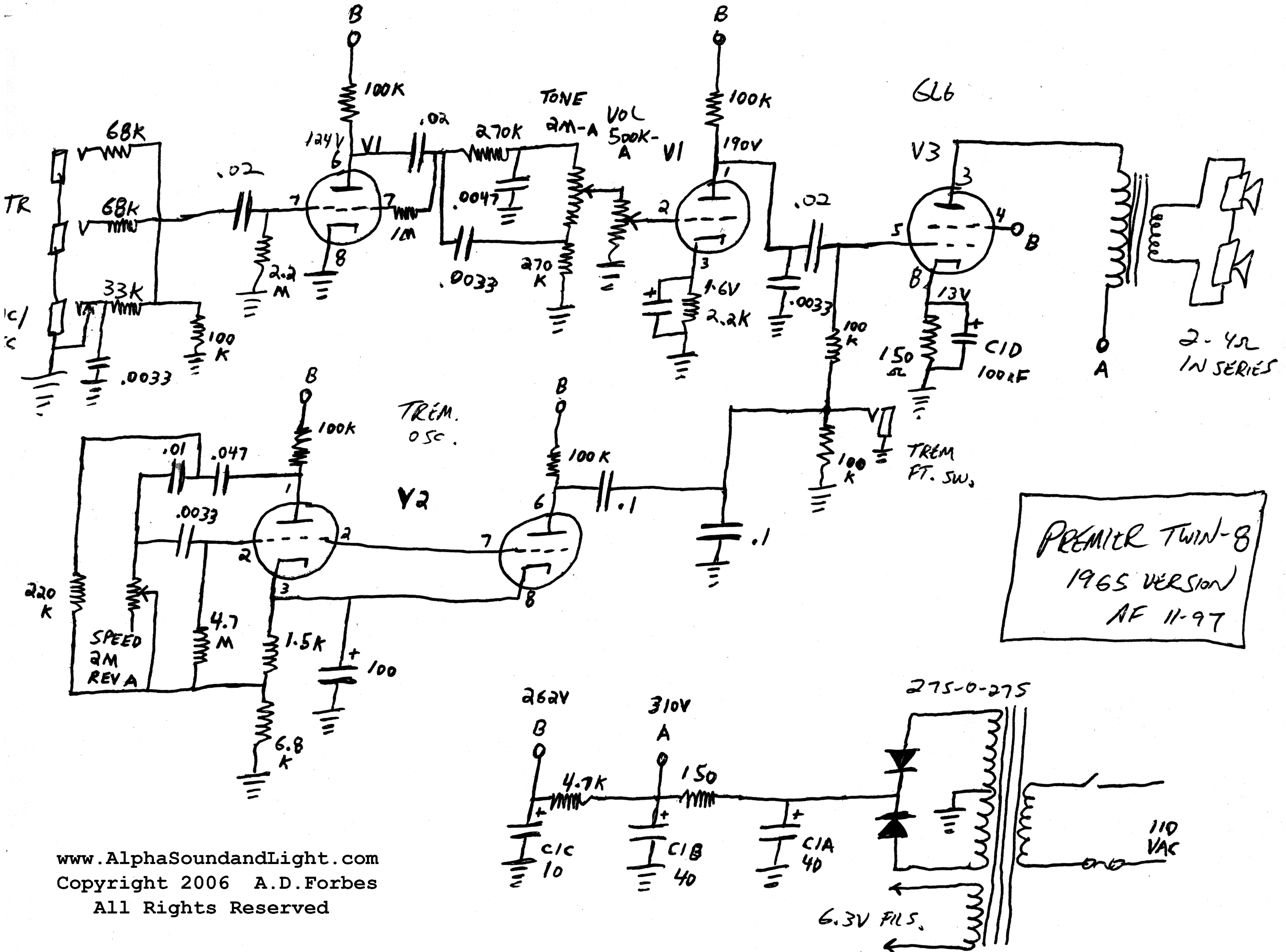
PREMIER  
TWIN-8  
Circa 1961  
AF 10-96

- V1 V2 V3 V4
- 12AX7A 7591A 5Y3



www.AlphaSoundandLight.com  
 Copyright 2006 A.D.Forbes  
 All Rights Reserved

(CHANGE FIL. CRT TO BALANCED  
 WITH 2-100Ω FOR LESS HUM)



PREMIER TWIN-8  
 1965 VERSION  
 AF 11-97