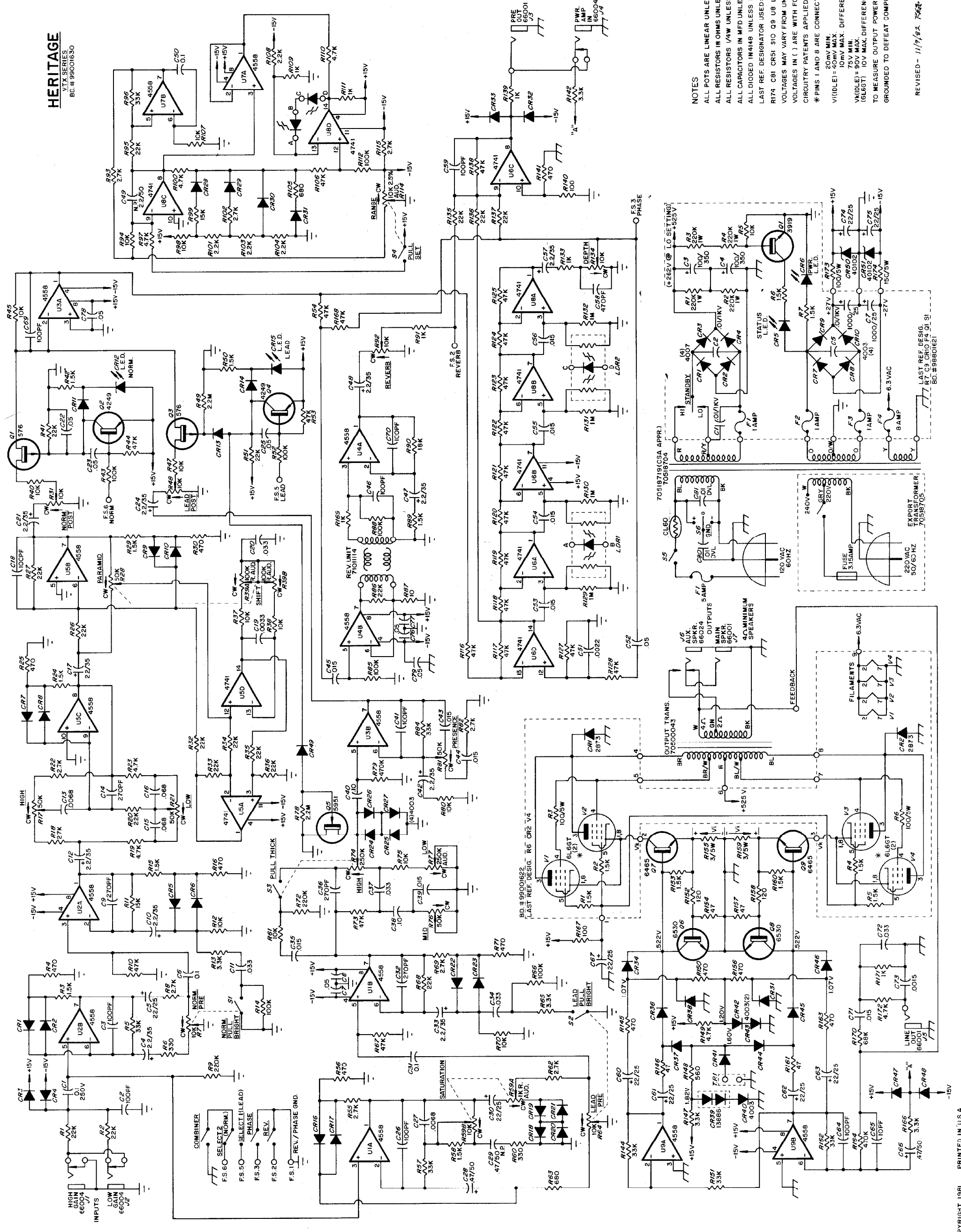


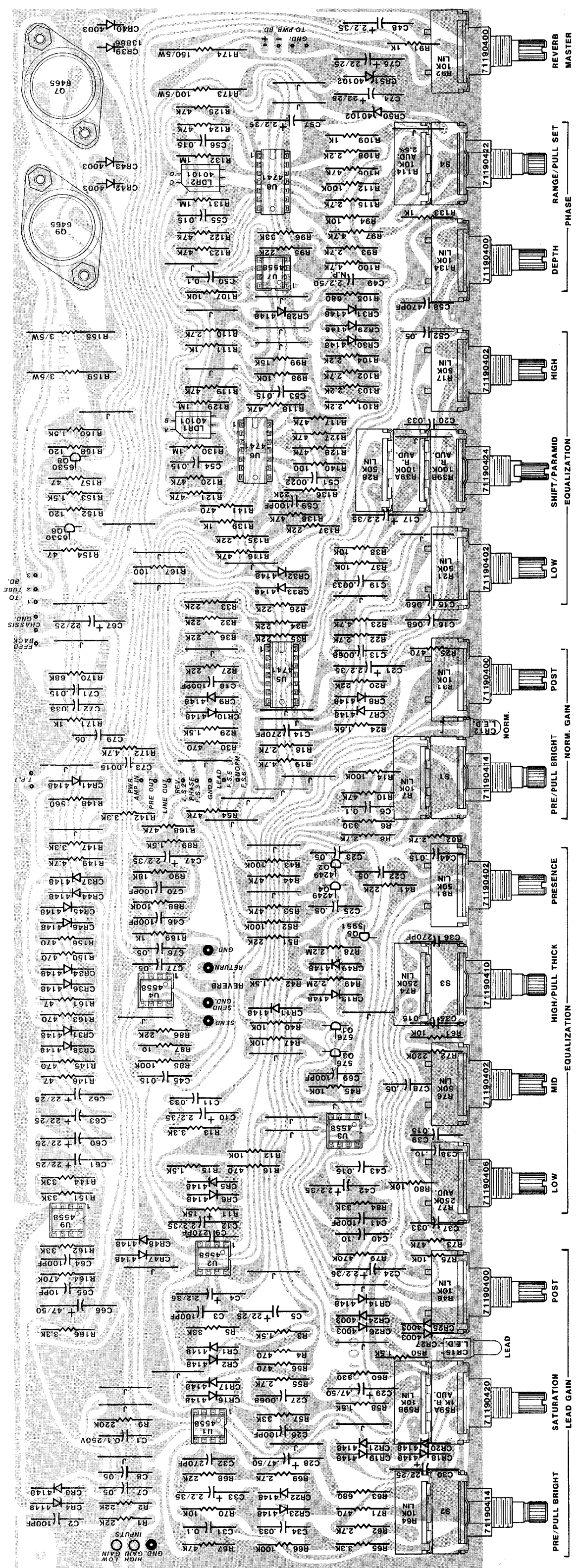
HERITAGE
V.T.A. SERIES
BD.# 99001630



- NOTES**
- ALL POTS ARE LINEAR UNLESS NOTED
 - ALL RESISTORS IN OHMS UNLESS NOTED
 - ALL RESISTORS 1/4W UNLESS NOTED
 - ALL CAPACITORS IN MFD UNLESS NOTED
 - ALL DIODES IN 1N4148 UNLESS NOTED
 - LAST REF. DESIGNATOR USED:
 - R174 C81 CR51 Q9 U8 LDR2 F1 J7
 - VOLTAGES MAY VARY FROM UNIT TO UNIT
 - VOLTAGES IN () ARE WITH FOOTSWITCH CLOSED
 - CIRCUITRY PATENTS APPLIED FOR AND PENDING
 - * PINS 1 AND 8 ARE CONNECTED ON ALL TUBES
 - V(I) (DLE) = 200V MIN. 100V MAX. DIFFERENCE BETWEEN SIDES
 - V(K) (DLE) = 90V MAX. 75V MIN. DIFFERENCE BETWEEN SIDES
 - V(K) (DLE) = 10V MAX. 40102 DIFFERENCE BETWEEN SIDES
 - TO MEASURE OUTPUT POWER RATING AT 5% T.H.D., T.P.I. MUST BE GROUNDED TO DEFEAT COMPRESSION EFFECT OF POWER AMP.

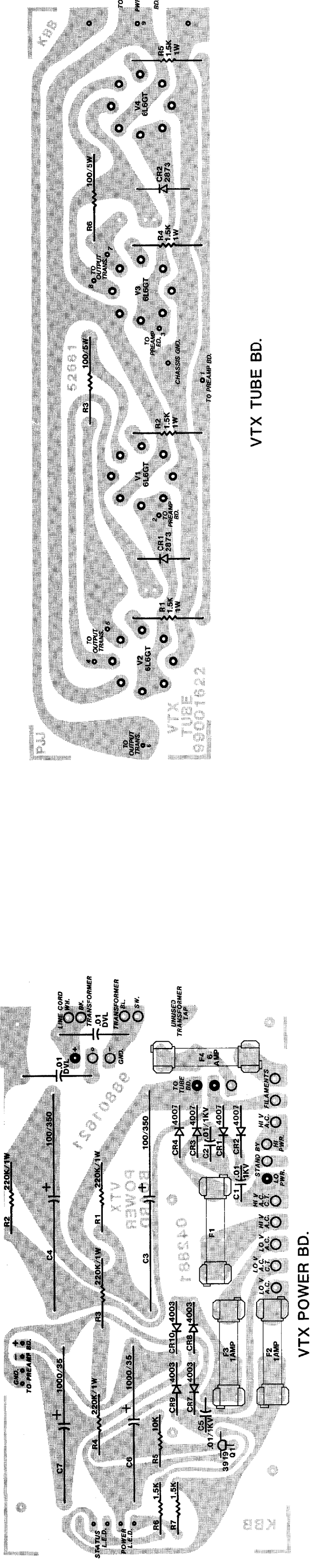
PEAVEY ELECTRONICS CORP.
MERIDIAN, MS.
DRAWN BY *[Signature]* DATE 8/25/81
C.B. CHECK *[Signature]*
CHECK BY *[Signature]*
APPR. BY *[Signature]*

REVISED - 11/19/82 *[Signature]*



HERITAGE
VTX SERIES

PRE/PULL BRIGHT — SATURATION — LEAD GAIN — POST — LOW — MID — HIGH/PULL THICK — PRESENCE — PRE/PULL BRIGHT — NORM. GAIN — POST — EQUALIZATION — LOW — SHIFT/PARAMID — EQUALIZATION — HIGH — RANGE/PULL SET — PHASE — REVERB — MASTER



VTX POWER BD.

VTX TUBE BD.