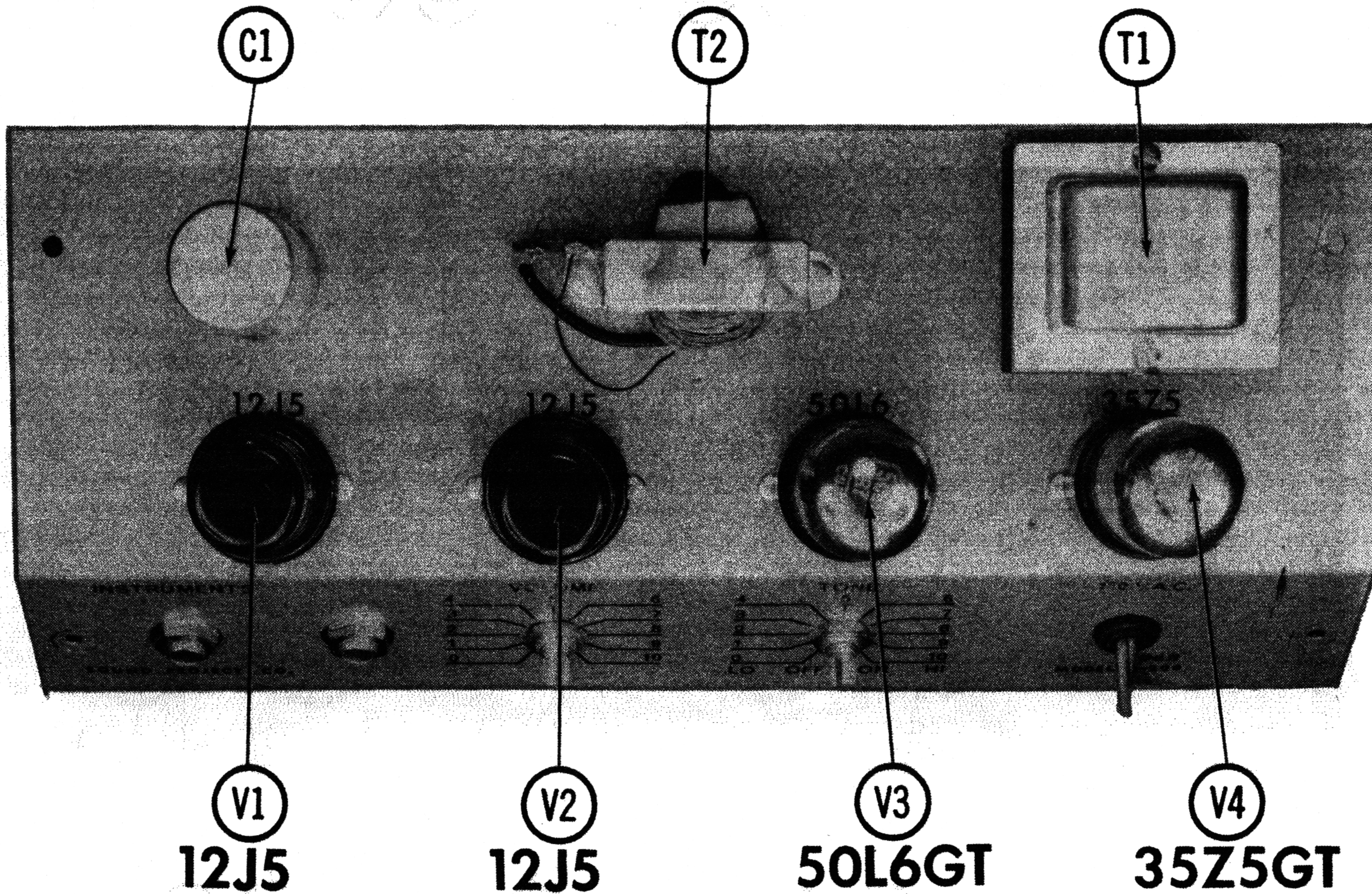


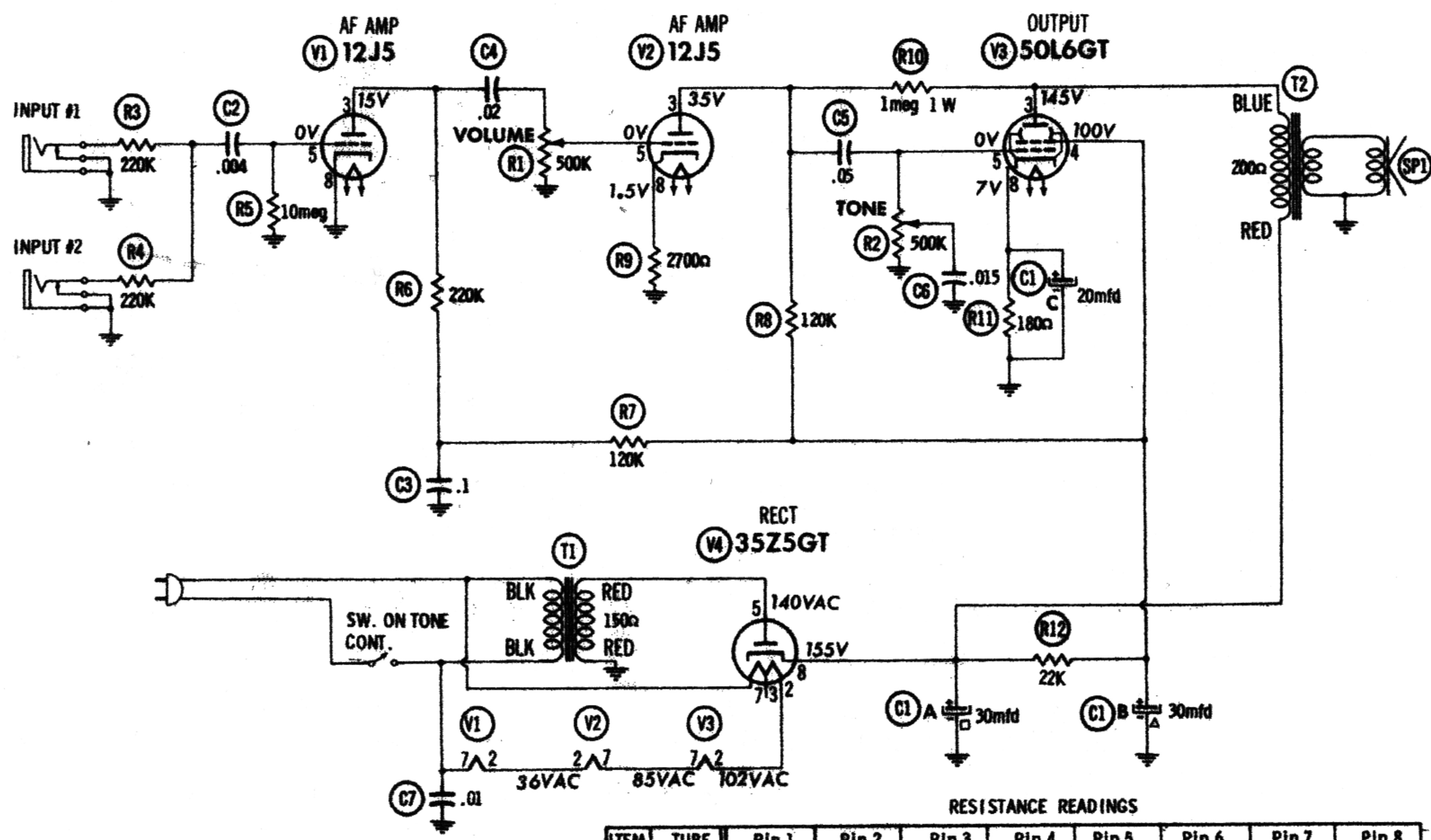
Lectrolab R200



V1 12J5 V2 12J5 V3 50L6GT V4 35Z5GT

TRADE NAME	Lectrolab Model R-200		
SUPPLIER	Spiegel Inc., 1061 W. 35th St., Chicago 9, Ill.		
TYPE SET	AC Operated 2 Channel Audio Amplifier		
TUBES (Four)	Types 12J5 Preamplifier, 12J5 AF Amplifier, 50L6GT Output, 35Z5GT Rectifier		
POWER SUPPLY	110-120 Volts AC-60 Cycles	RATING	.280 Amp. @ 117 Volts AC

LECTROLAB
MODEL R-200



- DC voltage measurements taken with vacuum tube voltmeter; AC voltages measured at 1000 ohms per volt.
- Socket connections are shown as bottom views.
- Measured values are from socket pin to common negative.
- Line voltage maintained at 117 volts for voltage readings.
- Nominal tolerance of component values makes possible a variation of $\pm 15\%$ in voltage and resistance readings.
- All controls at minimum, proper output load connected.

RESISTANCE READINGS

ITEM	TUBE	Pin 1	Pin 2	Pin 3	Pin 4	Pin 5	Pin 6	Pin 7	Pin 8
V1	12J5	0 Ω	$\approx 100\Omega$	$\approx 360K$	NC	10Meg	TP	$\approx 110\Omega$	0 Ω
V2	12J5	0 Ω	$\approx 100\Omega$	$\approx 140K$	NC	0 Ω	NC	$\approx 85\Omega$	2700 Ω
V3	50L6GT	NC	$\approx 35\Omega$	$\approx 200\Omega$	$\approx 22K$	500K	NC	$\approx 85\Omega$	180 Ω
V4	35Z5GT	NC	$\approx 35\Omega$	30 Ω	NC	150 Ω	TP	0 Ω	15K

↑ MEASURED FROM PIN 8 OF V4.
NC NO CONNECTION.
TP TIE POINT.
• MEASURED FROM PIN 7 OF V4

A PHOTOFAC STANDARD NOTATION SCHEMATIC
© Howard W. Sams & Co., Inc. 1957

355-6

HOWARD W. SAMS & CO., INC. • Indianapolis 5, Indiana

"The listing of any available replacement part herein does not constitute in any case a recommendation, warranty or guaranty by Howard W. Sams & Co., Inc., as to the quality and suitability of such replacement part. The numbers of these parts have been compiled from information furnished to Howard W. Sams & Co., Inc., by the manufacturers of the particular type of replacement part listed." "Reproduction or use, without express permission, of editorial or pictorial con-

tent, in any manner, is prohibited. No patent liability is assumed with respect to the use of the information contained herein. Copyright 1957 by Howard W. Sams & Co., Inc., Indianapolis 5, Indiana, U. S. of America. Copyright under international Copyright Union. All rights reserved under Inter-American Copyright Union (1910) by Howard W. Sams & Co., Inc." Printed in U. S. of America