

FS

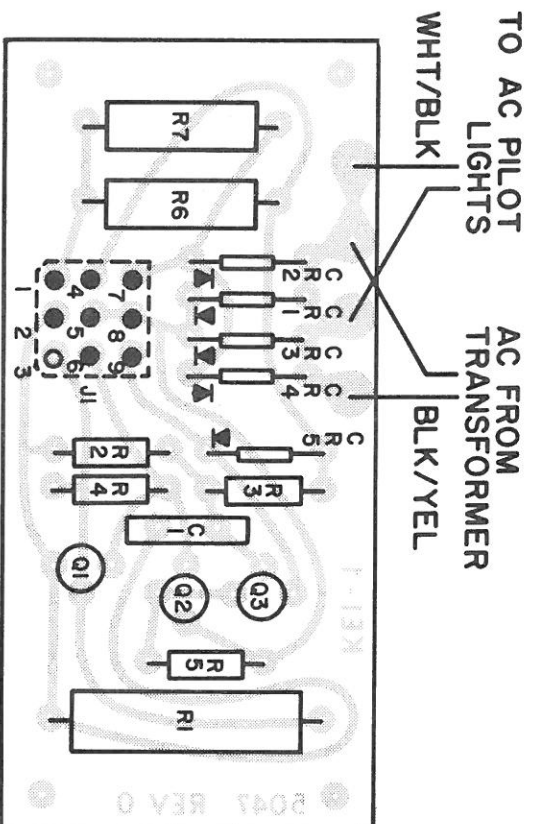
NOTES:

1. ALL RESISTORS ARE 1/2W, UNLESS NOTED.

SYMBOL	KUSTOM PART NO.
CR1 THRU CR4	007-6011-00
CR5	007-5349-00
Q1	007-0005-00
Q2 & Q3	007-0007-00

REV	NO	DATE	BY
1	821	5-72	LS

REV	PART NUMBER	DESCRIPTION	ITEM
	Kustom ELECTRONICS, INC. CHANUTE, KAN. 66720		
DRN	JLS	DATE 11-71	TOLERANCES NONE MATERIAL NONE
ENR		DATE 12-71	NAME SCHEMATIC DIAGRAM
ENGR			REGULATOR BOARD PC5047
SCALE NONE	SHT OF 1	PART NUMBER 002-5047-00	



- J1
1. -17V TO FILTER C3
 2. +12VDC
 3. PASS TRANS, EMITTER
 4. -12VDC
 5. PASS TRANS, COLLECTOR
 6. PASS TRANS, BASE
 7. -17V TO FILTER C2
 8. +17V TO FILTER C1
 9. GND

REV	C	VO	DATE	BY

Custom. ELECTRONICS, INC. CHANUTE, KANSAS 66720		DRN	JLS	DATE	4-72
		CHK	<i>[Signature]</i>	DATE	5-72
ENGR					
SCALE		NONE			
SHT		1			
OF		1			
NAME			TOLERANCES		
REGULATOR			NONE		
PART NUMBER			MATERIAL		
300-5047-00			NONE		