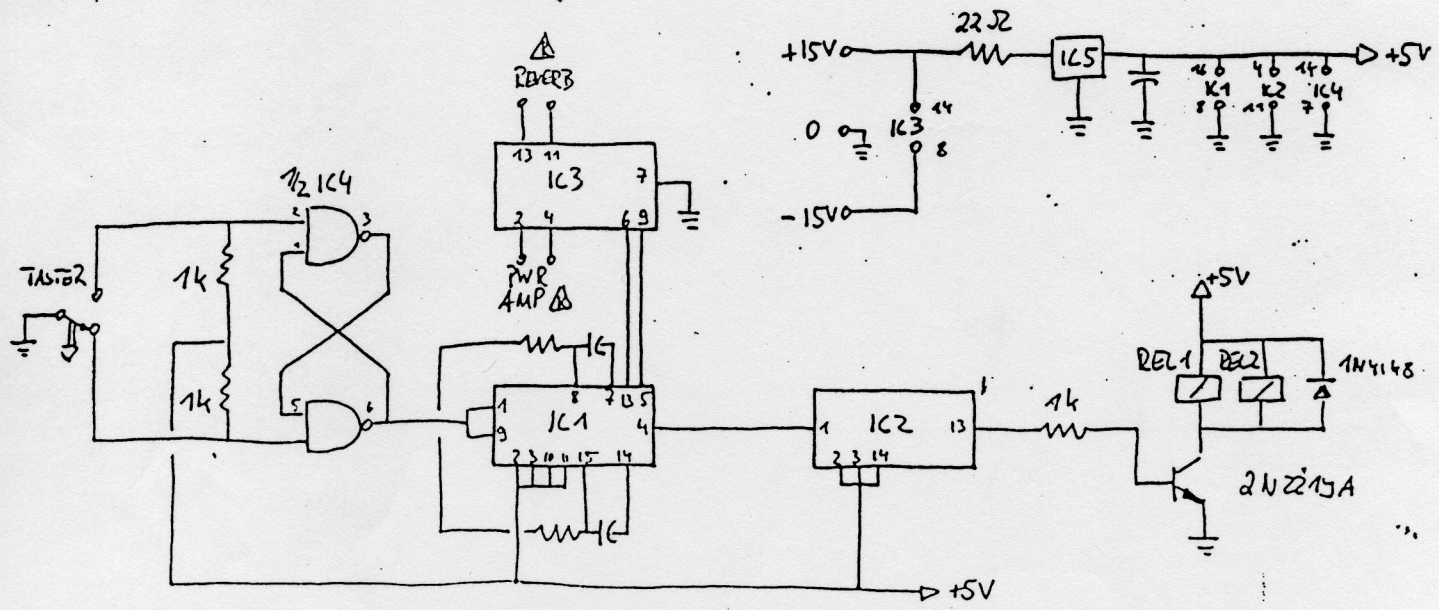


All tubes type 12AX7  
 All capacitors 630V - unless otherwise noted  
 All resistors .5W ±5% tolerance " "

© Kitty Hawk

### Kitty Hawk Digital Umschaltung



- IC1 : SN 74 123
- IC2 : SN 74 73
- IC3 : DG 300
- IC4 : SN 74100
- IC5 : 7805

© Kitty Hawk