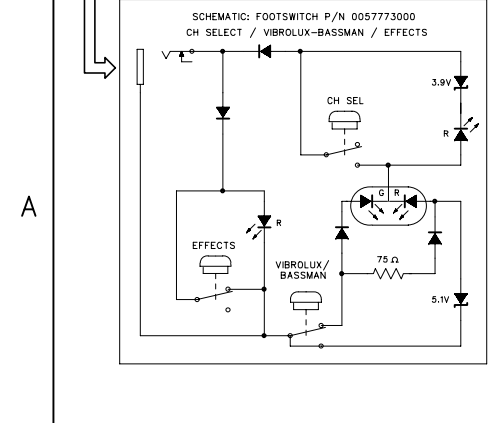
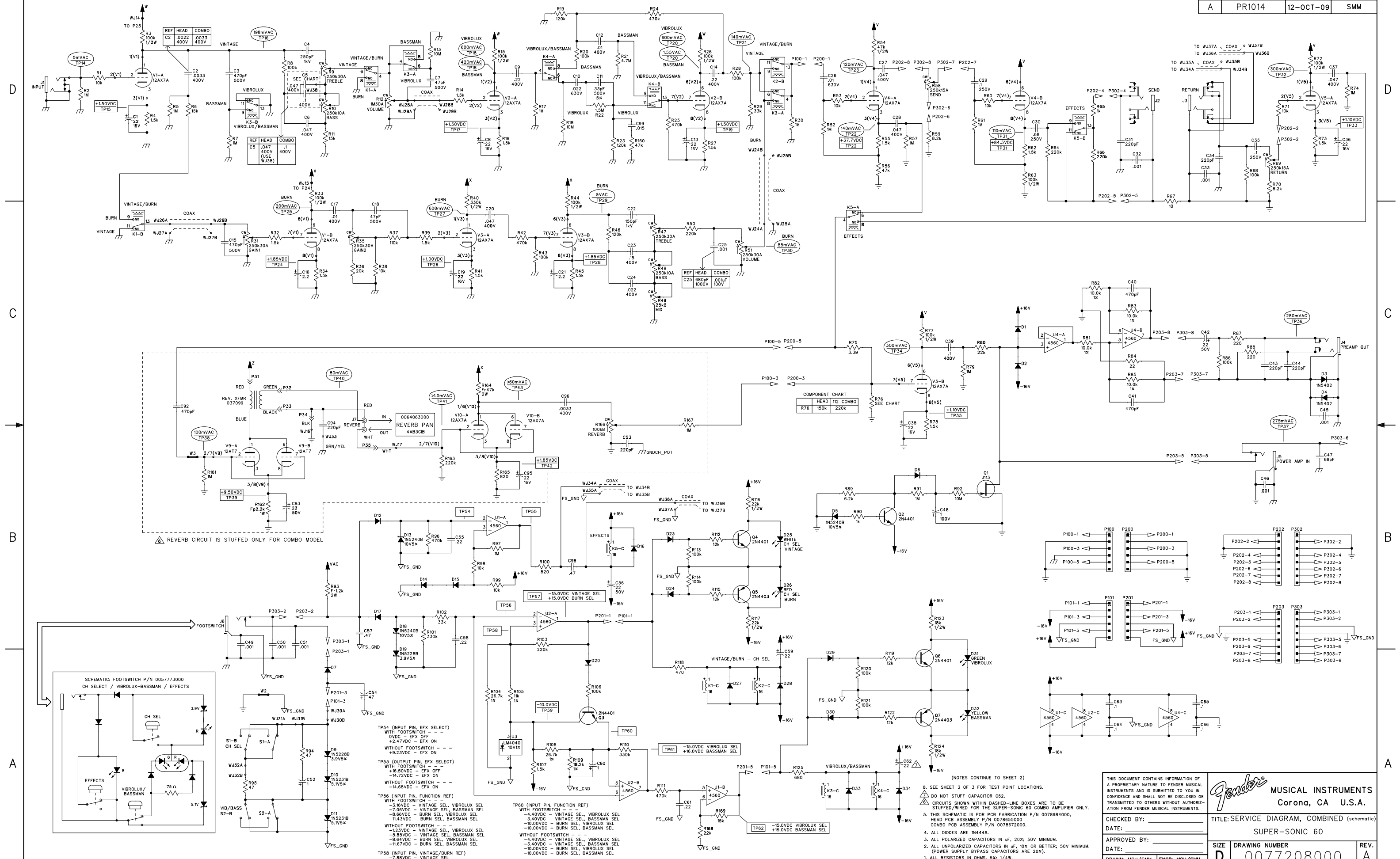


REVISIONS			
REV.	DESCRIPTION	DATE	APPROVED
A	PR1014	12-OCT-09	SMM



- TP54 (INPUT PIN, EFX SELECT)**
 WITH FOOTSWITCH - - -
 0VDC - EFX OFF
 +2.47VDC - EFX ON
 WITHOUT FOOTSWITCH - - -
 +9.23VDC - EFX ON
- TP55 (OUTPUT PIN, EFX SELECT)**
 WITH FOOTSWITCH - - -
 +6.50VDC - EFX OFF
 -14.72VDC - EFX ON
 WITHOUT FOOTSWITCH - - -
 -14.68VDC - EFX ON
- TP56 (INPUT PIN, FUNCTION REF)**
 WITH FOOTSWITCH - - -
 -3.16VDC - VINTAGE SEL, VIBROLUX SEL
 -7.06VDC - VINTAGE SEL, BASSMAN SEL
 -8.66VDC - BURN SEL, VIBROLUX SEL
 -11.43VDC - BURN SEL, BASSMAN SEL
 WITHOUT FOOTSWITCH - - -
 -1.23VDC - VINTAGE SEL, VIBROLUX SEL
 -5.85VDC - VINTAGE SEL, BASSMAN SEL
 -8.64VDC - BURN SEL, VIBROLUX SEL
 -11.67VDC - BURN SEL, BASSMAN SEL
- TP58 (INPUT PIN, VINTAGE/BURN REF)**
 -7.88VDC - VINTAGE SEL
 -7.03VDC - BURN SEL
- TP60 (INPUT PIN, FUNCTION REF)**
 WITH FOOTSWITCH - - -
 -4.40VDC - VINTAGE SEL, VIBROLUX SEL
 -3.40VDC - VINTAGE SEL, BASSMAN SEL
 -10.00VDC - BURN SEL, VIBROLUX SEL
 -10.00VDC - BURN SEL, BASSMAN SEL
 WITHOUT FOOTSWITCH - - -
 -4.40VDC - VINTAGE SEL, VIBROLUX SEL
 -3.40VDC - VINTAGE SEL, BASSMAN SEL
 -10.00VDC - BURN SEL, VIBROLUX SEL
 -10.00VDC - BURN SEL, BASSMAN SEL

- (NOTES CONTINUE TO SHEET 2)
- SEE SHEET 3 OF 3 FOR TEST POINT LOCATIONS.
 - DO NOT STUFF CAPACITOR 62.
 - CIRCUITS SHOWN WITH DASHED-LINE BOXES ARE TO BE STUFFED/WIRED FOR THE SUPER-SONIC 60 COMBO AMPLIFIER ONLY.
 - THIS SCHEMATIC IS FOR PCB FABRICATION P/N 0078984000, HEAD PCB ASSEMBLY P/N 0078655000, COMBO PCB ASSEMBLY P/N 0078672000.
 - ALL DIODES ARE 1N4448.
 - ALL POLARIZED CAPACITORS IN μ F, 20% OR BETTER; 50V MINIMUM.
 - ALL UNPOLARIZED CAPACITORS IN μ F, 10% OR BETTER; 50V MINIMUM. (POWER SUPPLY BYPASS CAPACITORS ARE 20%).
 - ALL RESISTORS IN OHMS, Ω ; 1/4W.
- NOTES: (UNLESS OTHERWISE NOTED)

THIS DOCUMENT CONTAINS INFORMATION OF A PROPRIETARY NATURE TO FENDER MUSICAL INSTRUMENTS AND IS SUBMITTED TO YOU IN CONFIDENCE AND SHALL NOT BE DISCLOSED OR TRANSMITTED TO OTHERS WITHOUT AUTHORIZATION FROM FENDER MUSICAL INSTRUMENTS.

Fender MUSICAL INSTRUMENTS
 Corona, CA U.S.A.

TITLE: SERVICE DIAGRAM, COMBINED (schematic)
 SUPER-SONIC 60

CHECKED BY: _____
 DATE: _____

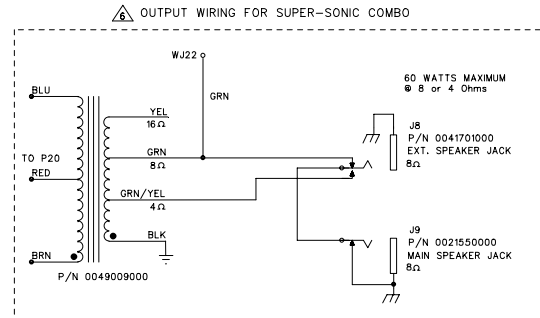
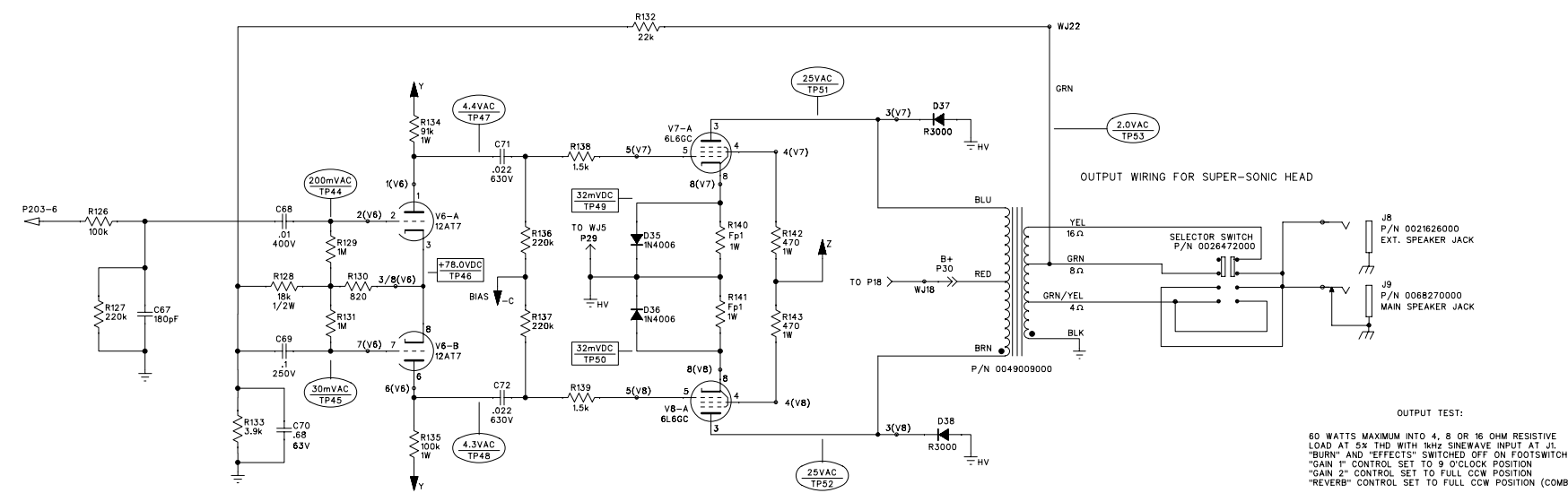
APPROVED BY: _____
 DATE: _____

DRAWN: MCU/SMM ENGR: MCU/SMM
 DATABASE FILE: Z1014S.SCH

SIZE: D
 DRAWING NUMBER: 0077208000
 REV. A

RELEASE DATE: 12-OCT-09
 SHEET: 1 OF 3

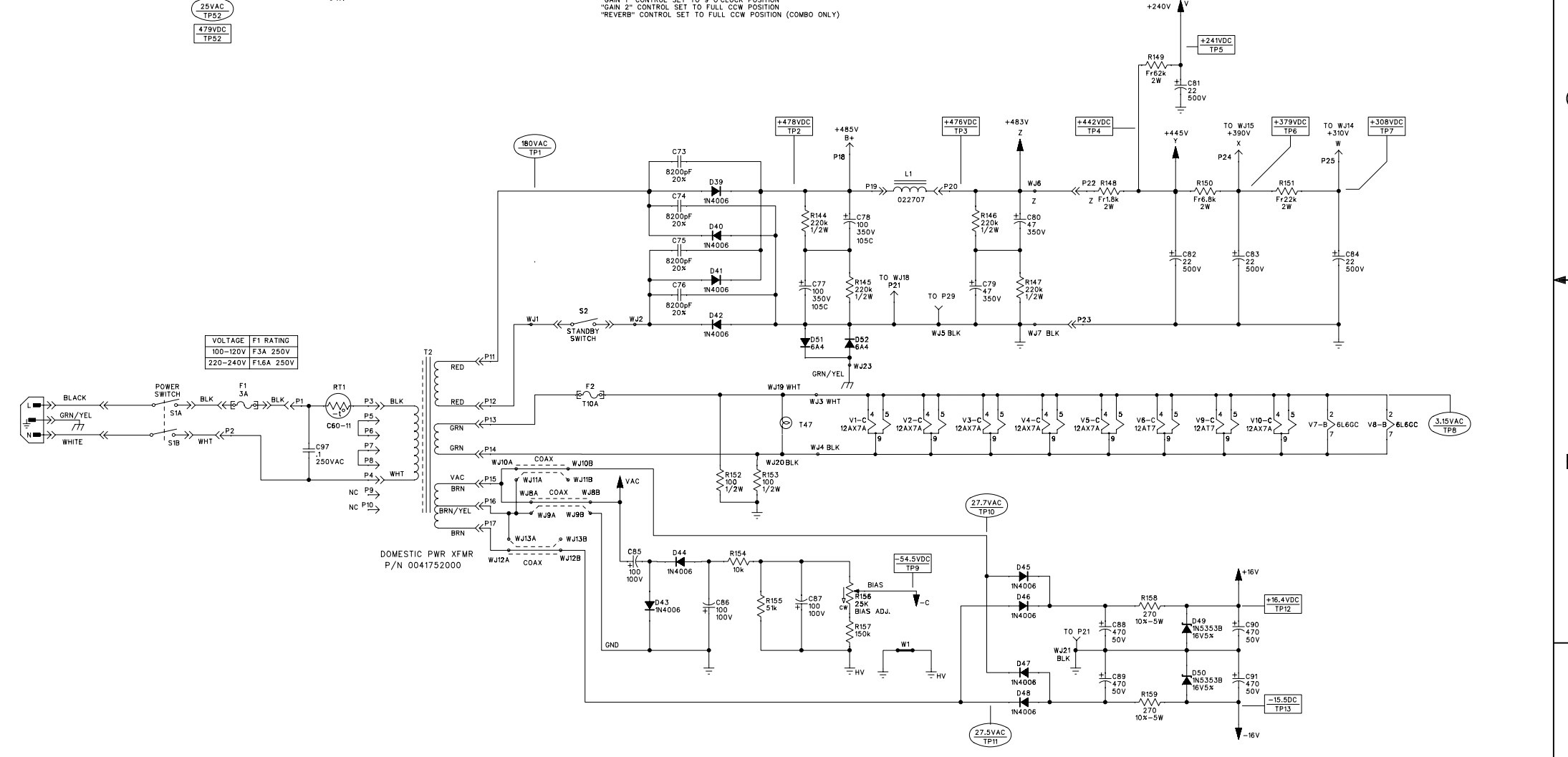
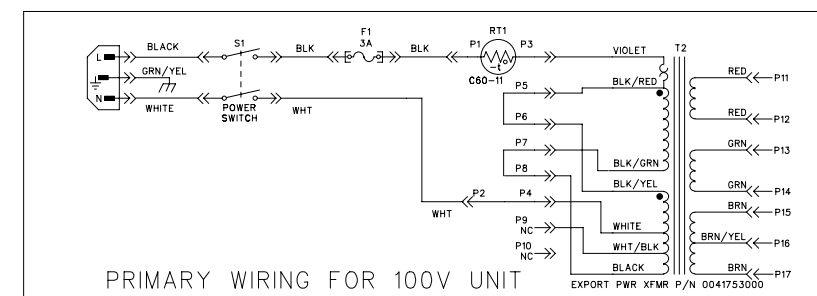
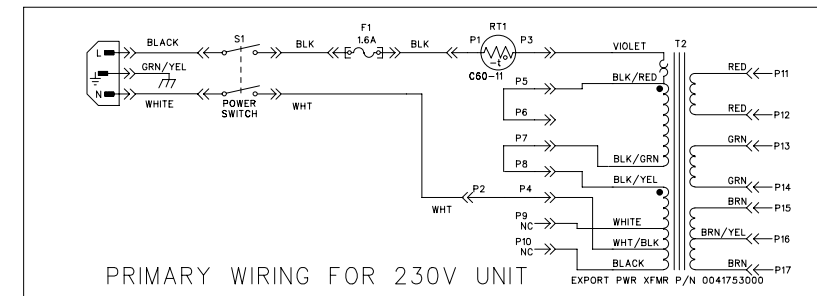
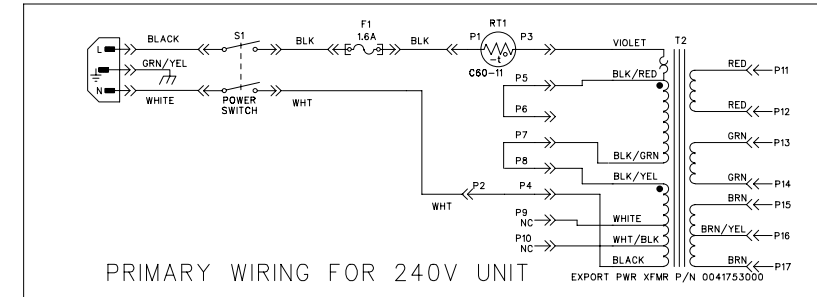
REVISIONS			
REV.	DESCRIPTION	DATE	APPROVED
A	PR1014	12-OCT-09	SMM



OUTPUT WIRING FOR SUPER-SONIC HEAD

OUTPUT WIRING FOR SUPER-SONIC COMBO

60 WATTS MAXIMUM INTO 4, 8 OR 16 OHM RESISTIVE LOAD AT 5% THD WITH 1kHz SINEWAVE INPUT AT J1
 "BURN" AND "EFFECTS" SWITCHED OFF ON FOOTSWITCH
 "GAIN 1" CONTROL SET TO 9 O'CLOCK POSITION
 "GAIN 2" CONTROL SET TO FULL CCW POSITION
 "REVERB" CONTROL SET TO FULL CCW POSITION (COMBO ONLY)



9. ALL VOLTAGES MEASURED WITH RESPECT TO GROUND USING A DVM OF AT LEAST 1M Ω AC INPUT IMPEDANCE AND 10M Ω DC IMPEDANCE. VOLTAGE MAY VARY +/- 20%.

INITIAL TEST CONDITIONS:
 UNIT AT RATED LINE VOLTAGE
 ALL POSs ARE CONNECTED TOGETHER, INSTALLED IN THE CHASSIS
 REVERB PAN 0064083000 CONNECTED AT J7
 8 Ω RESISTIVE LOAD CONNECTED TO J9
 IMPEDANCE SELECTOR SWITCH SET TO 8 Ω (HEAD ONLY)
 "BURN" SWITCHED OFF, "EFFECTS" SWITCHED ON WHEN USING FOOTSWITCH
 "GAIN 1" CONTROL SET TO 9 O'CLOCK POSITION
 "GAIN 2" CONTROL SET TO FULL CCW POSITION
 "REVERB" CONTROL SET TO FULL CCW POSITION (COMBO ONLY)
 "SEND" CONTROL IN FULL CW POSITION, "RETURN" CONTROL IN FULL CCW POSITION
 ALL OTHER CONTROLS SET TO 12 O'CLOCK POSITION
 BIAS CONTROL R156 SET TO -54.5VDC (OR 32mV AT BOTH TP50 AND TP81)
 UNLESS NOTED, ALL AC MEASUREMENTS ARE MADE IN WINTAGE/VIBROLUX CONFIGURATION
 ALL DC VOLTAGE MEASURED WITH NO INPUT SIGNAL
 ALL AC VOLTAGES MEASURED WITH 5mV, 1kHz SINEWAVE INPUT SIGNAL AT J1

ADDITIONAL TEST CONDITIONS:
 TP24-TP30, "BURN" SHOULD BE SWITCHED ON.
 TP38-TP44 APPLY TO COMBO ONLY. SET "REVERB" CONTROL TO 12 O'CLOCK.

THIS DOCUMENT CONTAINS INFORMATION OF A PROPRIETARY NATURE TO FENDER MUSICAL INSTRUMENTS AND IS SUBMITTED TO YOU IN CONFIDENCE AND SHALL NOT BE DISCLOSED OR TRANSMITTED TO OTHERS WITHOUT AUTHORIZATION FROM FENDER MUSICAL INSTRUMENTS.		Fender MUSICAL INSTRUMENTS Corona, CA U.S.A.	
CHECKED BY:		TITLE: SERVICE DIAGRAM, COMBINED (schematic)	
DATE:		SUPER-SONIC 60	
APPROVED BY:		SIZE	DRAWING NUMBER
DATE:		D	0077208000
DRAWN: MCU/SMM	ENGR: MCU/SMM	RELEASE DATE: 12-OCT-09	REVISION: A
DATABASE FILE: Z1014S.SCH		SHEET: 2	OF 3

NOTES: (CONT. FROM SHEET 1)

8

7

6

5

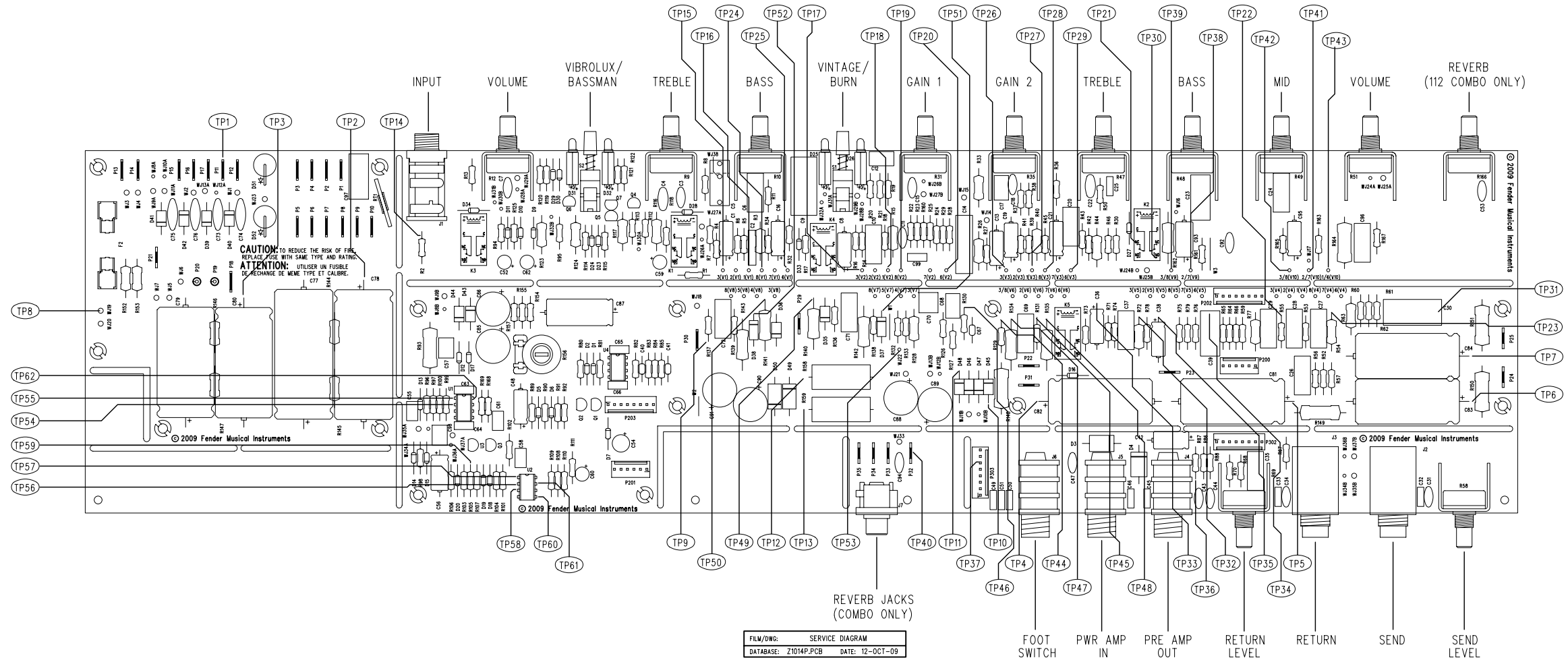
4

3

2

1

REVISIONS			
REV.	DESCRIPTION	DATE	APPROVED
A	PR1014	12-OCT-09	SMM



FILM/DWG: SERVICE DIAGRAM
 DATABASE: Z1014P.PCB DATE: 12-OCT-09

1. SEE SHEET 1-2 OF 3 FOR TEST CONDITIONS AND TEST POINT VALUES.

NOTES: (UNLESS OTHERWISE NOTED)

THIS DOCUMENT CONTAINS INFORMATION OF A PROPRIETARY NATURE TO FENDER MUSICAL INSTRUMENTS AND IS SHOWN TO YOU IN CONFIDENCE AND SHALL NOT BE DISCLOSED OR TRANSMITTED TO OTHERS WITHOUT AUTHORIZATION FROM FENDER MUSICAL INSTRUMENTS.		MUSICAL INSTRUMENTS Corona, CA U.S.A.	
CHECKED BY:	DATE:	TITLE: SERVICE DIAGRAM, COMBINED (PCB assy)	
APPROVED BY:	DATE:	SUPER-SONIC 60	
DRAWN: MCU/SMM	ENGR: MCU/SMM	SIZE: D	DRAWING NUMBER: 0077208000
DATABASE FILE: Z1014P.PCB	RELEASE DATE: 12-OCT-09	SHEET: 3	OF 3

D

C

B

A

D

C

B

A

8

7

6

5

4

3

2

1