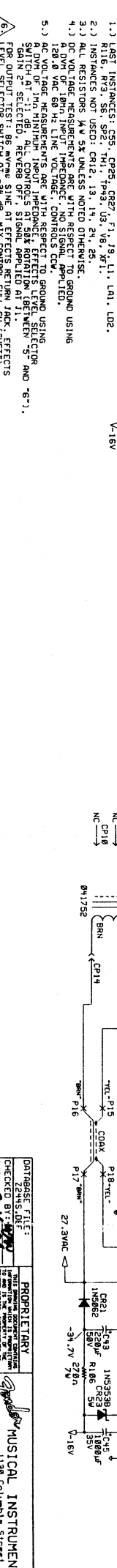
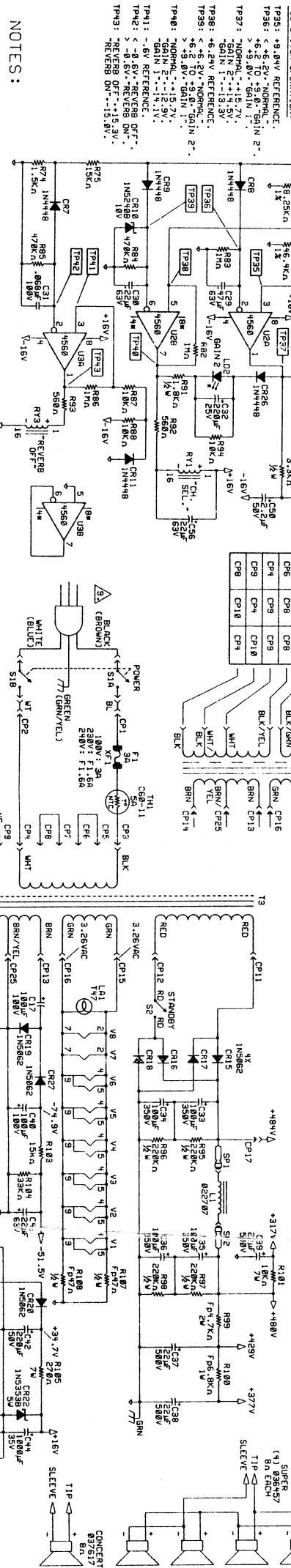
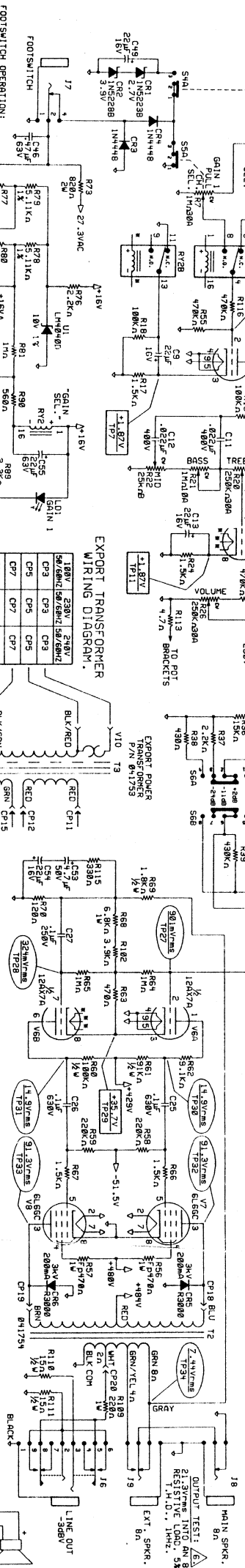
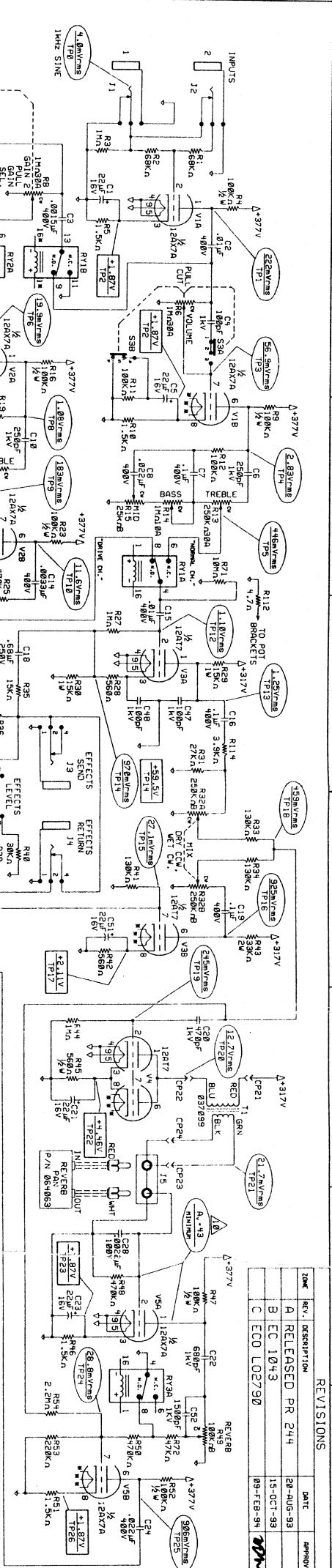


REVISIONS			
NO.	DESCRIPTION	DATE	APPROVED
1		28-AUG-93	
2	A RELEASED PR 244	15-OCT-93	
3	B EC 1043	09-FEB-94	
4	C ECO L02790		



FOOTSWITCH OPERATION:

TP36: +9.0V REFERENCE.
 TP35: +6.0V REFERENCE.
 TP37: +15.0V REFERENCE.
 TP38: +6.2V REFERENCE.
 TP39: +6.2V REFERENCE.
 TP40: +9.0V REFERENCE.
 TP41: -6V REFERENCE.
 TP42: -6V REFERENCE.
 TP43: REVERSE ON.
 TP44: REVERSE ON.

NOTES:

- 1.) LARG INSTANCES: C55, CP25, CR27, F1, J9, L1, L41, L02.
- 2.) LARG INSTANCES: R3, R2, R1, TP43, U3, V8, X11.
- 3.) ALL RESISTORS USED: 0.1%, 1%, 5%, 10%, 20%, 50%, 100%, 1K, 5K, 10K, 50K, 100K, 500K, 1M, 5M, 10M, 50M, 100M, 500M, 1000M.
- 4.) DC VOLTAGE MEASUREMENTS ARE WITH RESPECT TO GROUND USING A DVM OF 10mA INPUT IMPEDANCE. NO SIGNAL APPLIED.
- 5.) DC VOLTAGE MEASUREMENTS ARE WITH RESPECT TO GROUND USING A DVM OF 10mA INPUT IMPEDANCE. NO SIGNAL APPLIED.
- 6.) FOR OUTPUT TEST: 85 mV RMS SINE AT EFFECTS RETURN JACK. EFFECTS GAIN 2 SELECTED, REVERSE OFF, SIGNAL APPLIED AT J1.
- 7.) VOLTAGES MAY VARY ±20%.
- 8.) SIX-DIGIT NUMBERS ARE FINGER PART NUMBERS.
- 9.) GAIN BETWEEN VISA PINS 1 AND 2 SHOULD BE 43 MINIMUM.

MUSICAL INSTRUMENTS

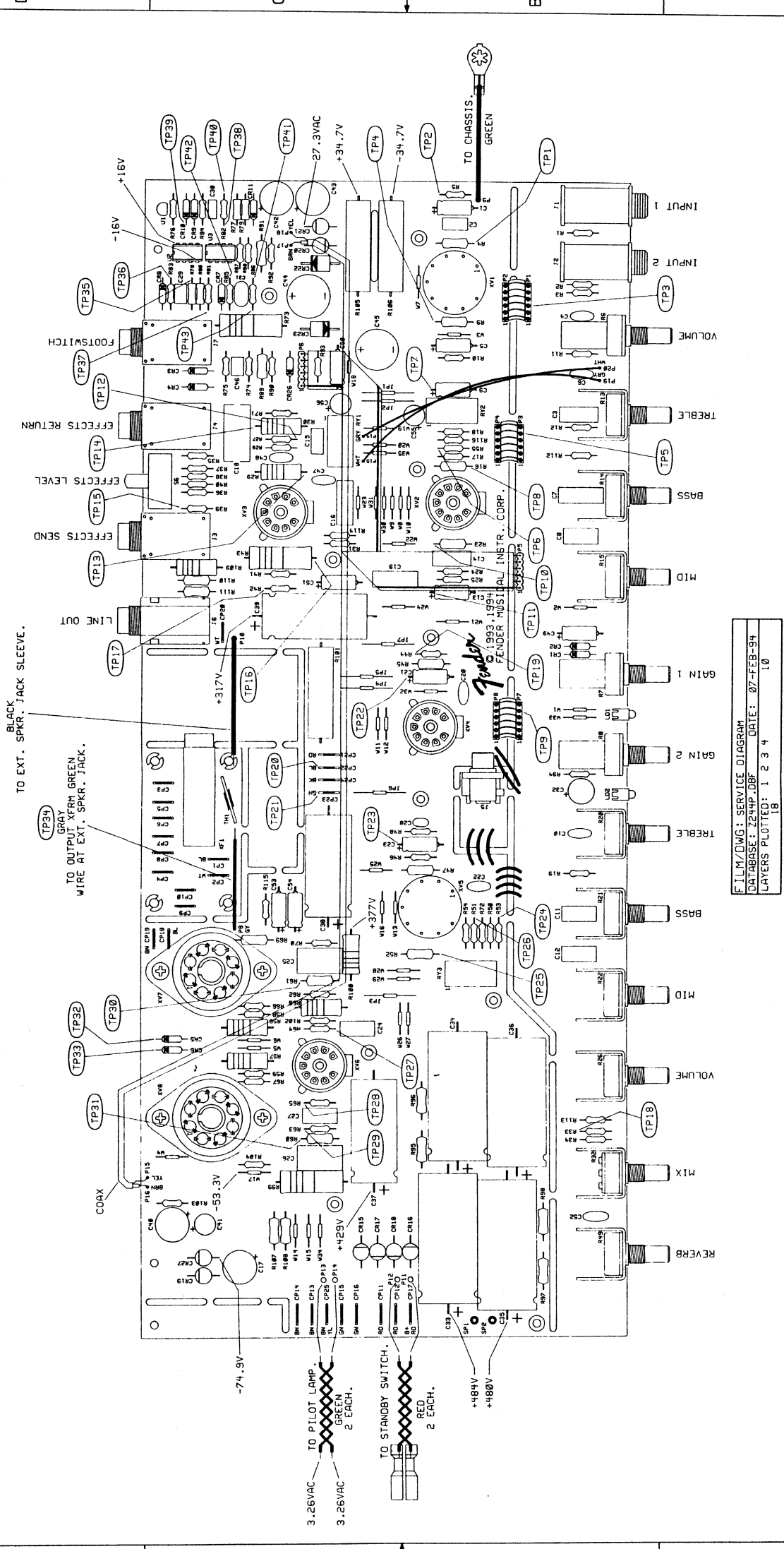
DATE: 11/18/93
 DRAWN BY: J. WILKENS
 CHECKED BY: J. WILKENS
 APPROVED BY: J. WILKENS

SIZE: 93 SUPERCONCERT
 DRAWN BY: J. WILKENS
 DATE: 11/18/93

0041744000

1 2 3 4 5 6 7 8

REVISIONS			
ZONE	REV. DESCRIPTION	DATE	APPROVED
	A RELEASED PR244	26-AUG-93	
	B EC 1043	15-OCT-93	
	C ECO L02790, L02812	05-FEB-94	<i>MWJ</i>



PROPRIETARY INFORMATION THIS DOCUMENT IS THE PROPERTY OF FENDER MUSICAL INSTRUMENTS CO. 11390 Columbia Street Encinitas, CA 92024 NO PART OF THIS DOCUMENT IS TO BE REPRODUCED OR TRANSMITTED IN ANY FORM OR BY ANY MEANS, WITHOUT THE WRITTEN PERMISSION OF FENDER MUSICAL INSTRUMENTS CO.		MUSICAL INSTRUMENTS 11390 Columbia Street Encinitas, CA 92024
CHECKED BY: <i>MWJ</i> DATE: 2-11-94 APPROVED: <i>MWJ</i> DATE: 2-11-94		TITLE: SERVICE DIAGRAM '93 SUPER AND CONCERT. SIZE (MM) MILKENS DRAWING NUMBER D (MM) MILKENS 041745 C NEXT HIGHER ASSEMBLY SUPER AND CONCERT GUITAR APPS. SCALE: 1:1 PLOTTED: 07-FEB-94 SHEET 1 OF 1

DATABASE FILE:
 ZENAP.DBF
 CHECKED BY: *MWJ*
 DATE: 2-11-94
 APPROVED: *MWJ*
 DATE: 2-11-94
 TOLERANCES: .1% RESISTORS
 .1% CAPS
 .1% TUBES
 .1% ANGLES

NOTES:
 1.) PCB SHOWN AS FABRICATED.

FILM/DWG: SERVICE DIAGRAM
 DATABASE: ZENAP.DBF
 DATE: 07-FEB-94
 LAYERS PLOTTED: 1 2 3 4
 18

1 2 3 4 5 6 7 8