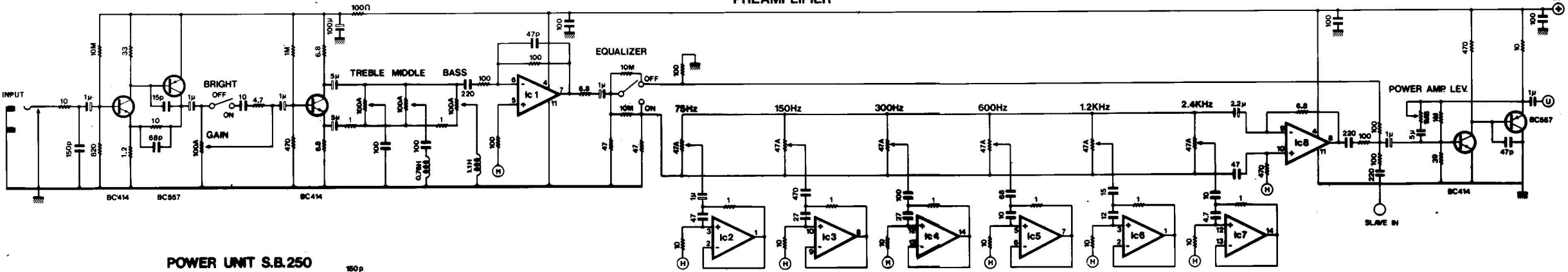
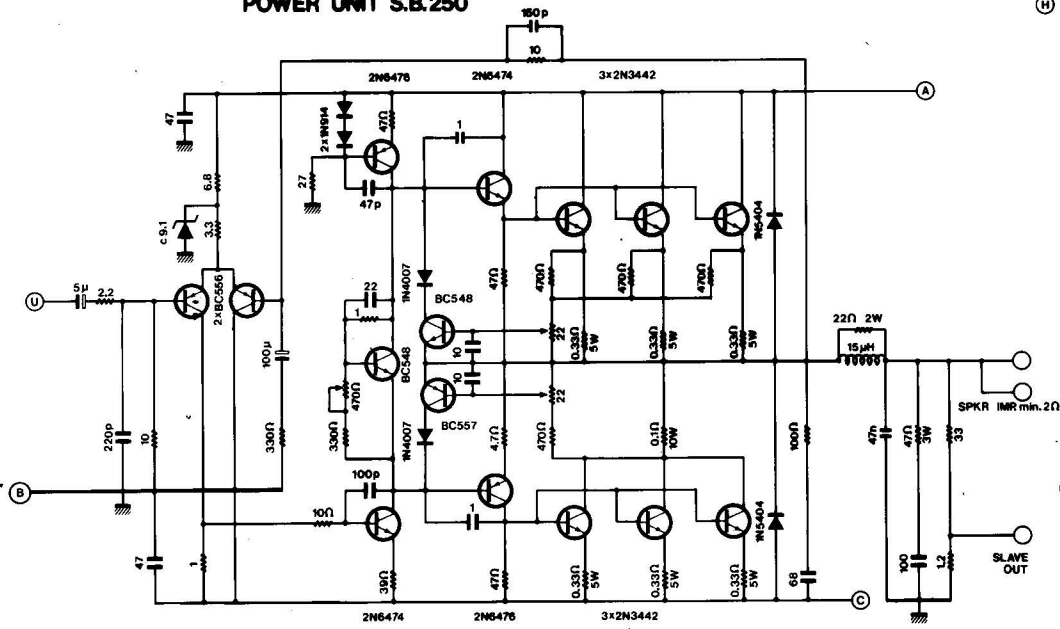


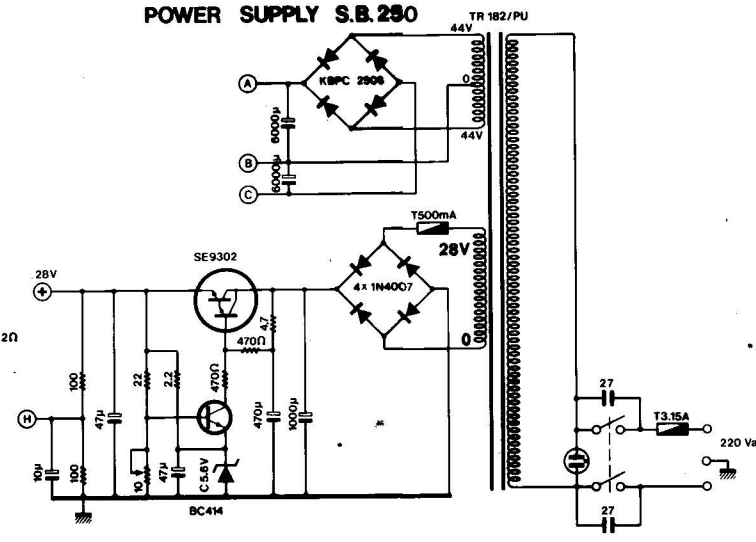
PREAMPLIFIER



POWER UNIT S.B.250

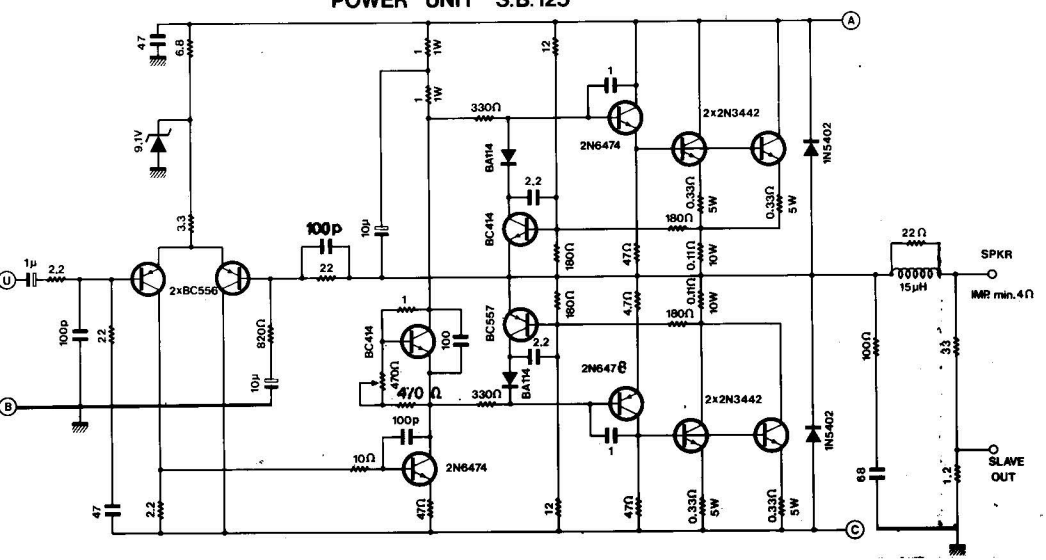


POWER SUPPLY S.B.250

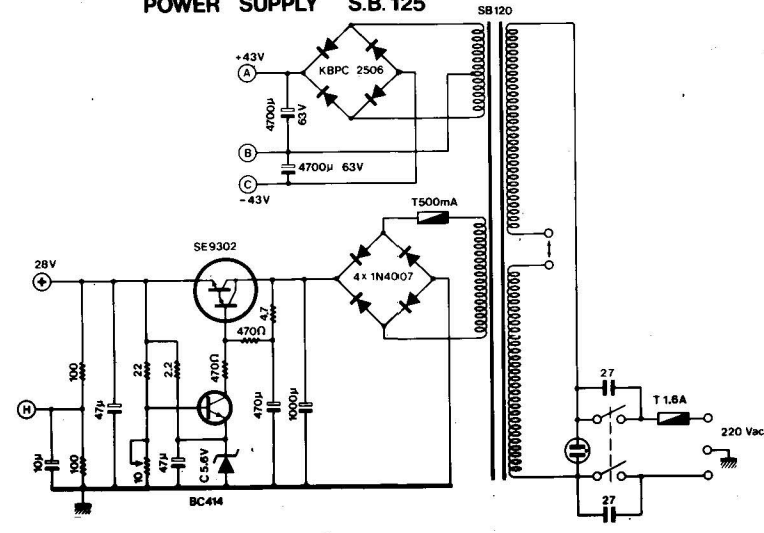


IC1 + IC2 + IC3 + IC4 = IC5 + IC6 + IC7 + IC8 = 4156 (4741)

POWER UNIT S.B.125



POWER SUPPLY S.B.125



ALL RESISTANCE VALUES IN KΩ AND CAPACITANCE VALUES IN nF UNLESS OTHERWISE SPECIFIED.