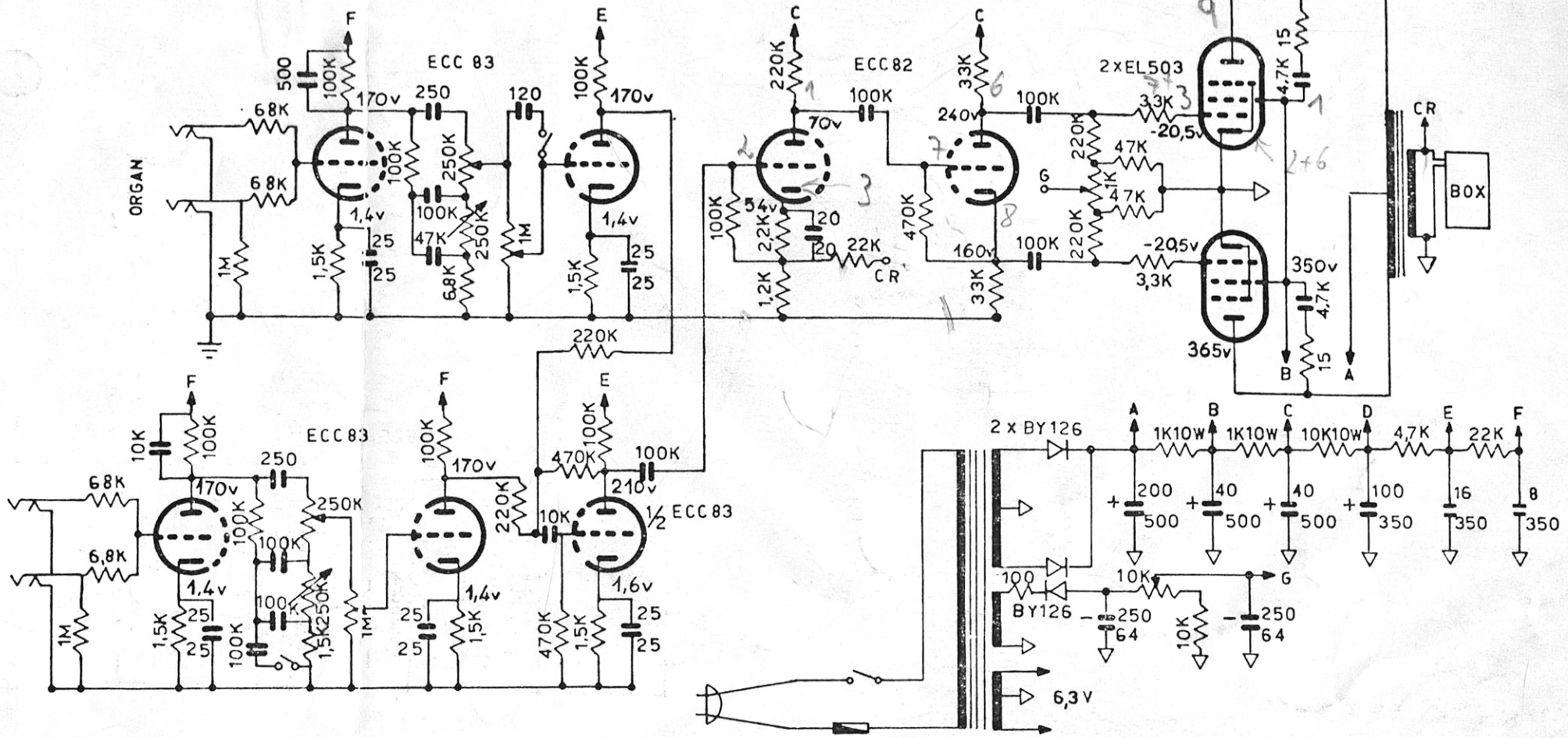


BASS

ORGAN



79+2-P 140
 61+2-P 2+7
 4... 103...

| | | | |
|--------------|--------|------|---|
| F B T | FIRME | DATA | NOTE: FOR THE MOD. SPECIAL TWO DIFFERENT SPEAKERS CABINET. |
| | DIS. # | | |
| | LUC. # | | |
| BASSORGAN | VER. # | | |
| | | | |