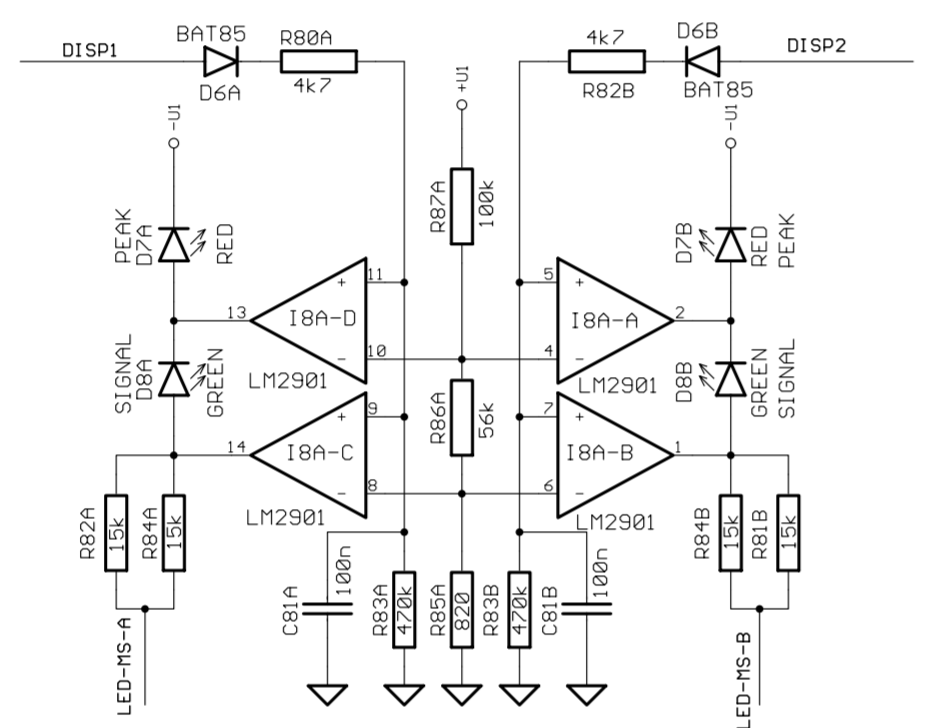
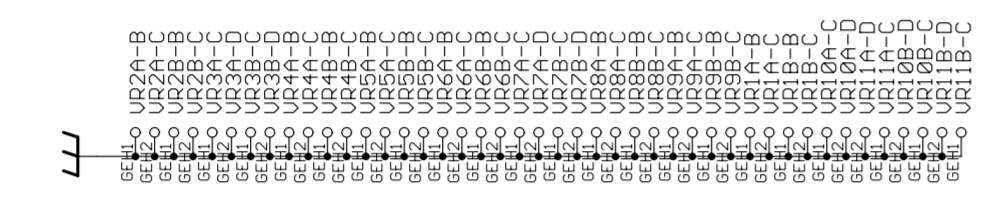
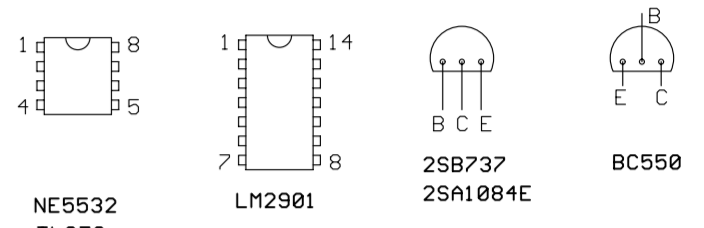


NOTES:

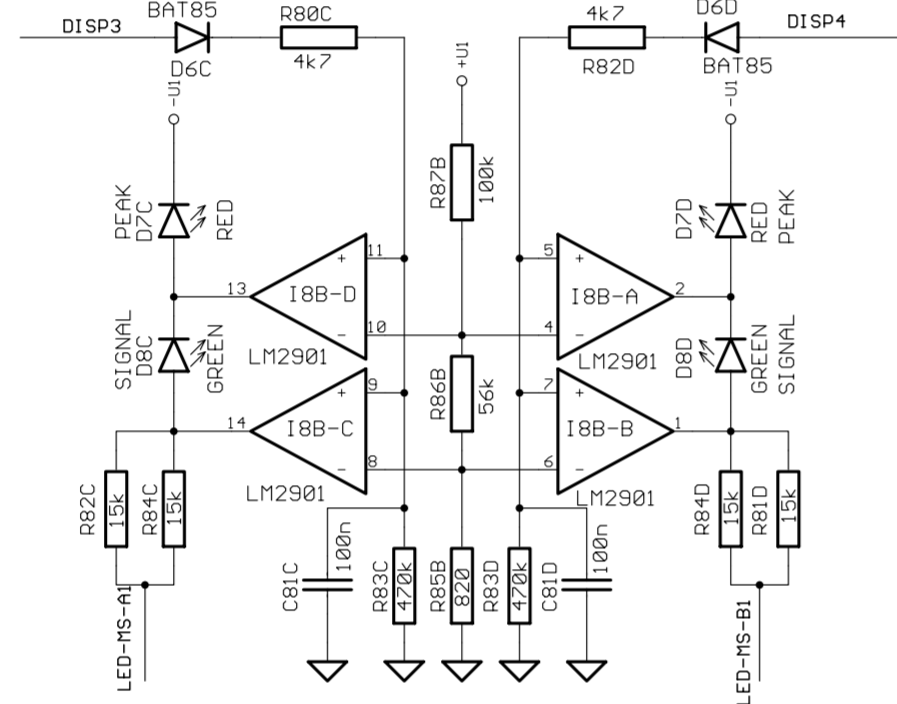
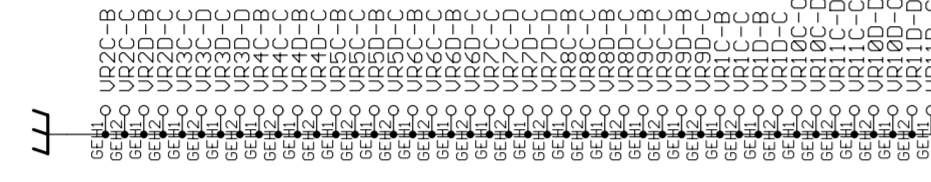
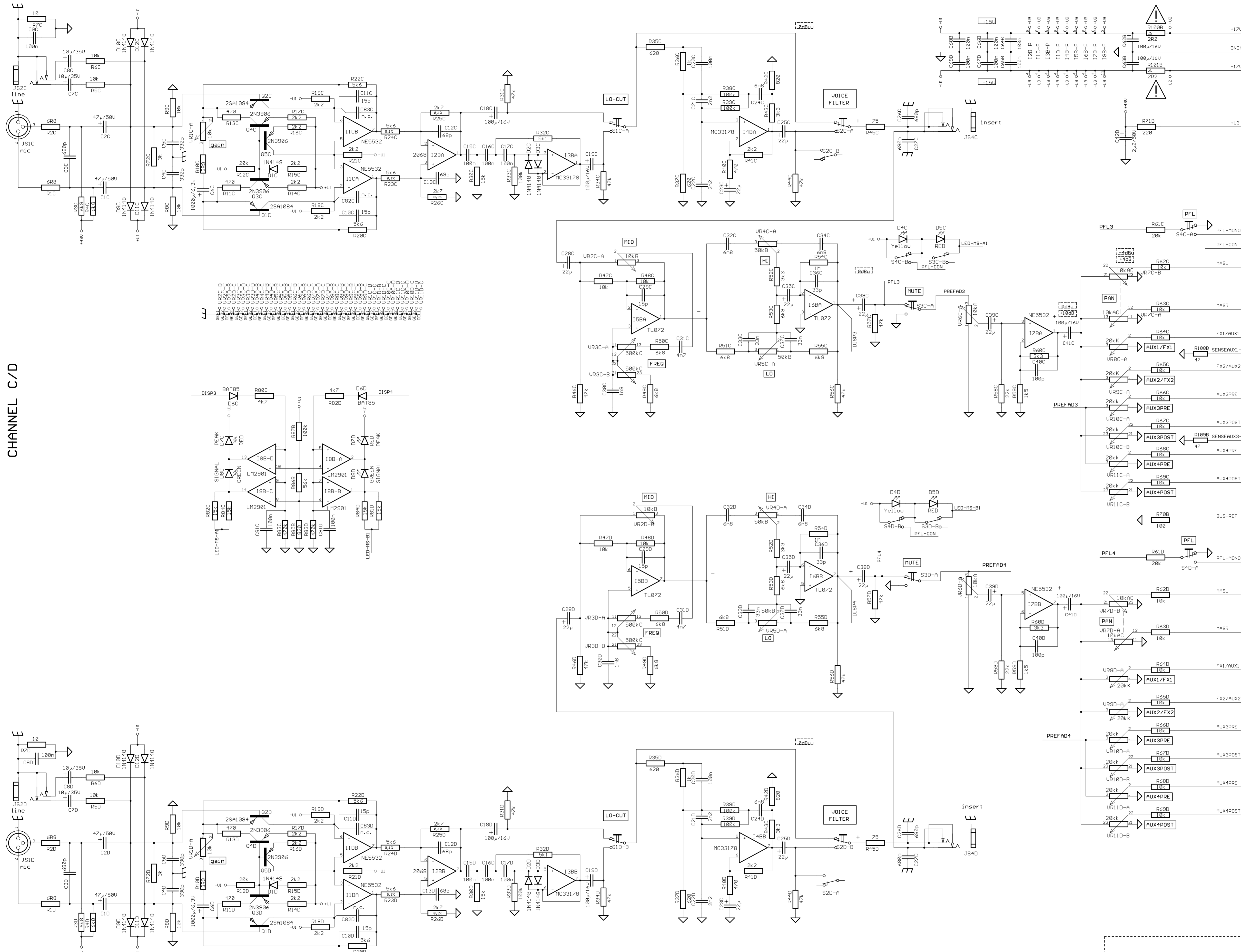
- *1 : PART CAN BE REPLACED WITH 25A1084 E
- AC VOLTAGE 1000 HZ, MEASURED WITH UTUM
- DC VOLTAGE MEASURED WITH VOLTMETER 100kOHM/V
- FADER IN RATED POSITION (0dB)
- ADDITIONAL GAIN WITH FADER IN MAX. POSITION
- SAFETY COMPONENT (MUST BE REPLACED BY ORIGINAL PART)

RATED CONDITIONS:

GAIN POTS MIN. OR MAX.
 ALL POTS IN CENTER-POSITION
 ALL FADERS AT 0dB
 MASTER-FADER -L/R AT +6dB



ALTERATIONS RESERVED!		Last modified: 07.04.2004 13:08:24	
		Last plotted: 08.04.2004 14:02:20	
		DATE	NAME
		DSG'D	10.2003 Lang F.
		CHK'D	
		APP'D	
		81357C	
		CIRCUIT DIAGRAM	
		362 338	
		PM1000/PM1600 -2	
ISSUE	REVISION	DATE	NAME
EUI AUDIO			

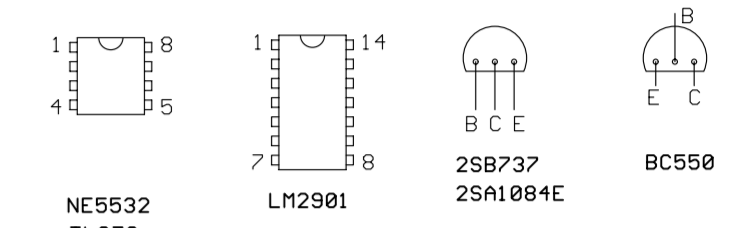


NOTES:

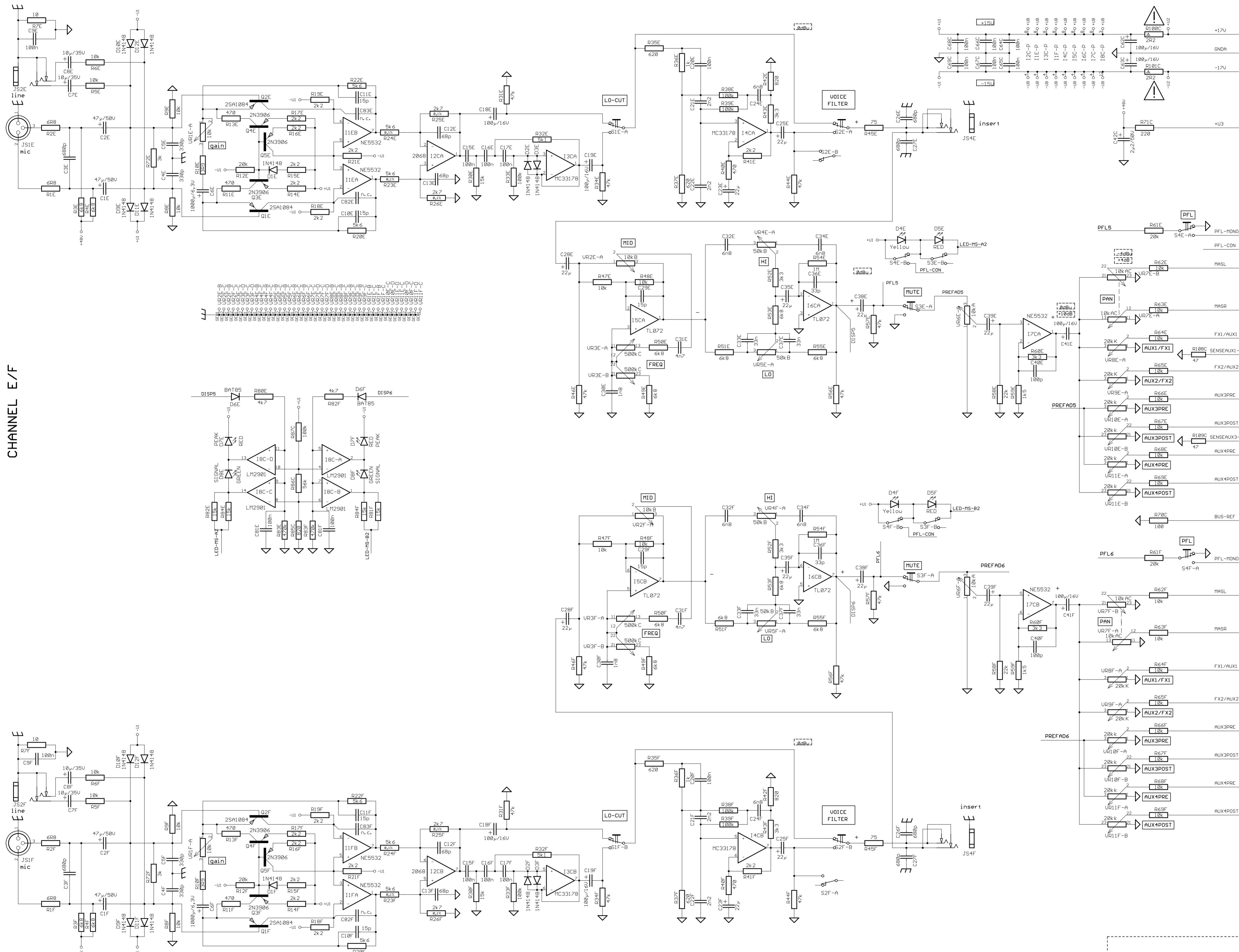
- *1 : PART CAN BE REPLACED WITH 2SA1084 E
- AC VOLTAGE 1000 HZ, MEASURED WITH UTUM
- DC VOLTAGE MEASURED WITH VOLTMETER 100kOHM/V
- FADER IN RATED POSITION (0dB)
- ADDITIONAL GAIN WITH FADER IN MAX. POSITION
- SAFETY COMPONENT (MUST BE REPLACED BY ORIGINAL PART)

RATED CONDITIONS:

- GAIN POTS MIN. OR MAX.
- ALL POTS IN CENTER-POSITION
- ALL FADERS AT 0dB
- MASTER-FADER-L/R AT +6dB



ALTERATIONS RESERVED!		81357C 81357	
Last modified: 07.04.2004 13:08:24		CIRCUIT DIAGRAM	2/3
Last plotted: 08.04.2004 14:02:30			
DATE	NAME		
DSG'D	10.2003	Lang F.	
CHK'D			
APP'D			
EUI AUDIO		362 338	2-
ISSUE	REVISION	DATE	NAME

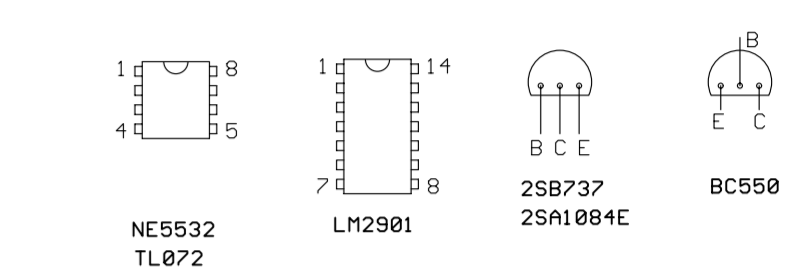


NOTES:

- *1: PART CAN BE REPLACED WITH 25A1084 E
- AC VOLTAGE 1000 HZ, MEASURED WITH UTUM
- DC VOLTAGE MEASURED WITH VOLTMETER 100kOHM/V
- FADER IN RATED POSITION (0dB) ADDITIONAL GAIN WITH FADER IN MAX. POSITION
- SAFETY COMPONENT (MUST BE REPLACED BY ORIGINAL PART)

RATED CONDITIONS:

- GAIN POTS MIN. OR MAX.
- ALL POTS IN CENTER-POSITION
- ALL FADERS AT 0dB
- MASTER-FADER-L/R AT +6dB

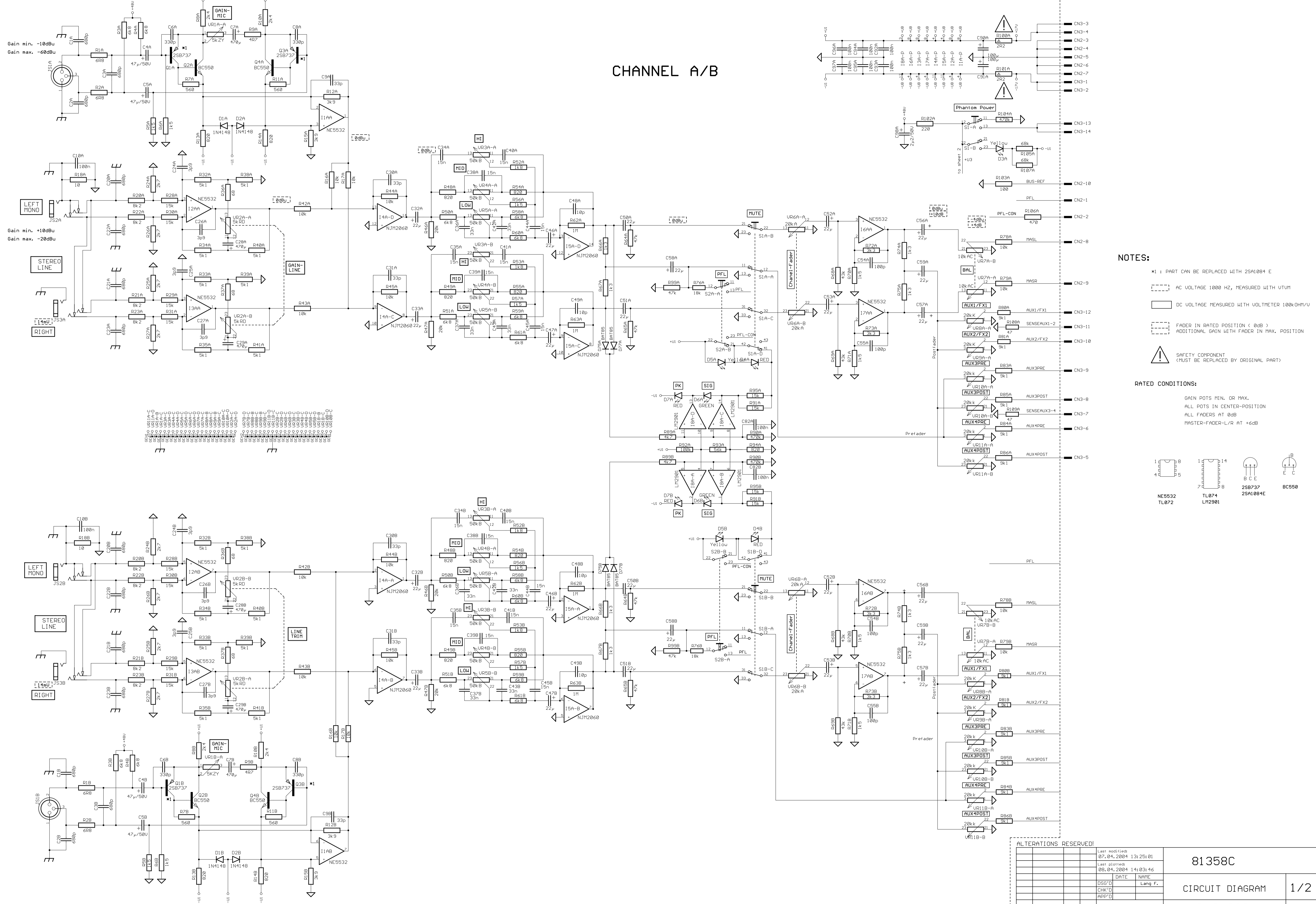


ALTERATIONS RESERVED!

Issue	Revision	Date	Name	Last modified: 07.04.2004 13:08:24	81357C	81357
				Last plotted: 08.04.2004 14:02:39	CIRCUIT DIAGRAM	3/3
				DATE NAME	362 338	2-
				CHK'D APP'D	PM1000/PM1600 -2	

EUI AUDIO

CHANNEL A/B

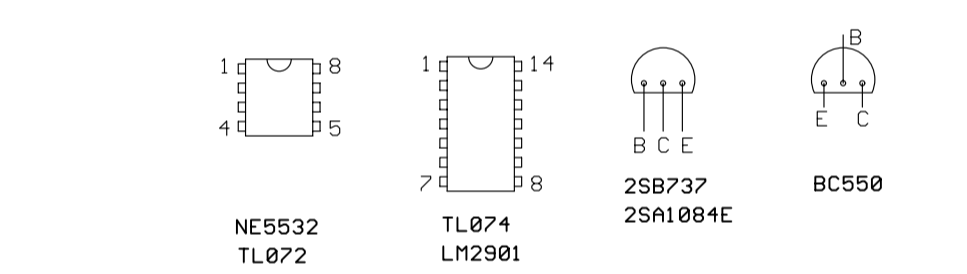


NOTES:

- *1 : PART CAN BE REPLACED WITH 25A1084 E
- AC VOLTAGE 1000 HZ, MEASURED WITH UTUM
- DC VOLTAGE MEASURED WITH VOLTMETER 100kOHM/V
- FADER IN RATED POSITION (0dB)
- ADDITIONAL GAIN WITH FADER IN MAX. POSITION
- SAFETY COMPONENT (MUST BE REPLACED BY ORIGINAL PART)

RATED CONDITIONS:

GAIN POTS MIN. OR MAX.
 ALL POTS IN CENTER-POSITION
 ALL FADERS AT 0dB
 MASTER-FADER-L/R AT +6dB

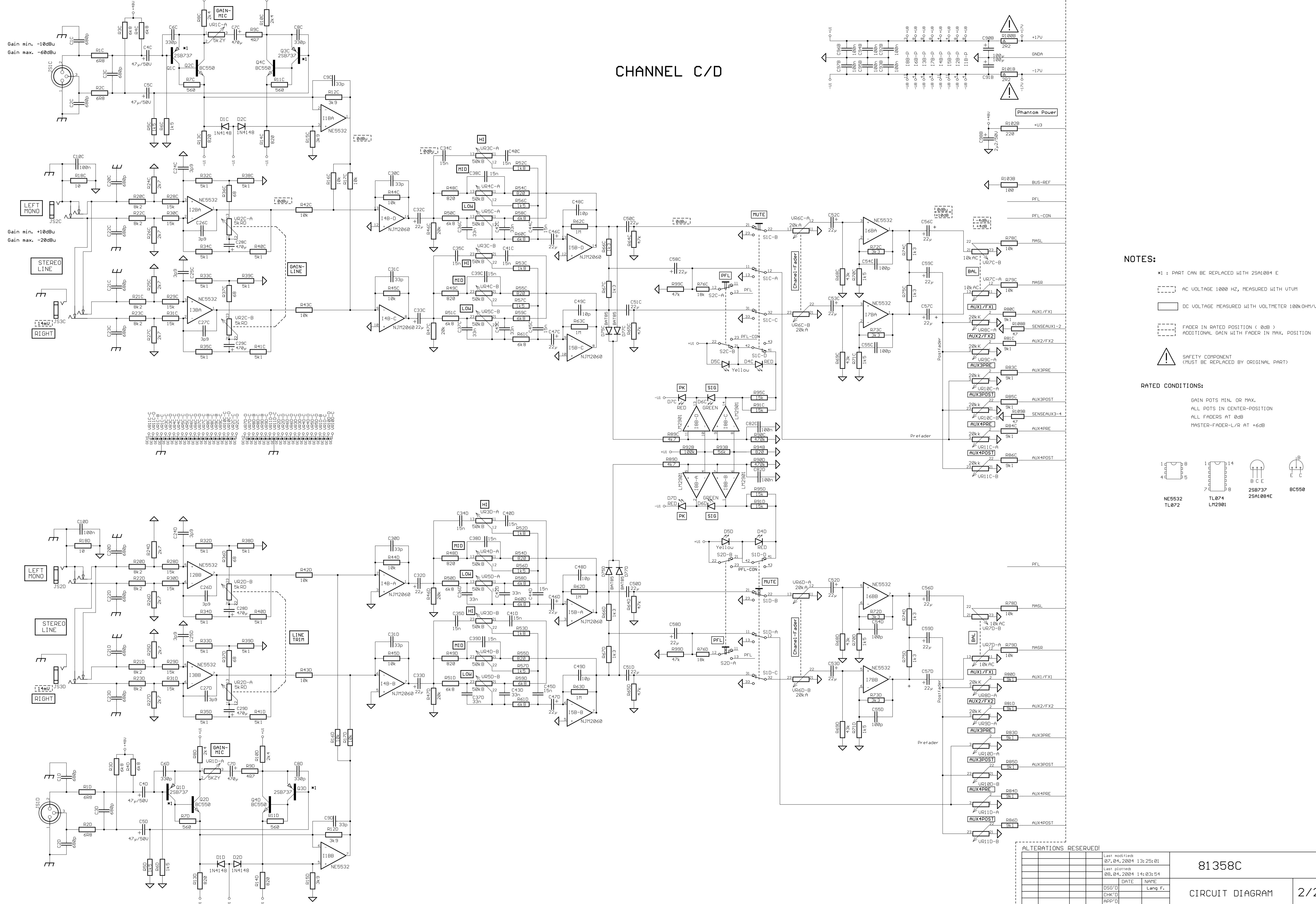


ALTERATIONS RESERVED!

DATE	NAME	81358C
07.04.2004 13:25:01		
08.04.2004 14:03:46		
DISG'D	Lang F.	CIRCUIT DIAGRAM
CHK'D		362 339
APP'D		PM1000/PM1600 -2

EVI AUDIO

CHANNEL C/D

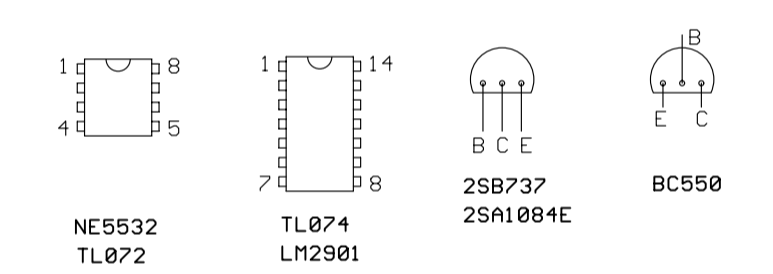


NE5532 TL072
 TL7901 LM2901
 25B737 25A1064E
 BC550

- NOTES:**
- *1 : PART CAN BE REPLACED WITH 25A1064 E
 - AC VOLTAGE 1000 HZ, MEASURED WITH UTUM
 - DC VOLTAGE MEASURED WITH VOLTMETER 100kOHM/V
 - FADER IN RATED POSITION (0dB)
 ADDITIONAL GAIN WITH FADER IN MAX. POSITION
 - SAFETY COMPONENT
 (MUST BE REPLACED BY ORIGINAL PART)

RATED CONDITIONS:

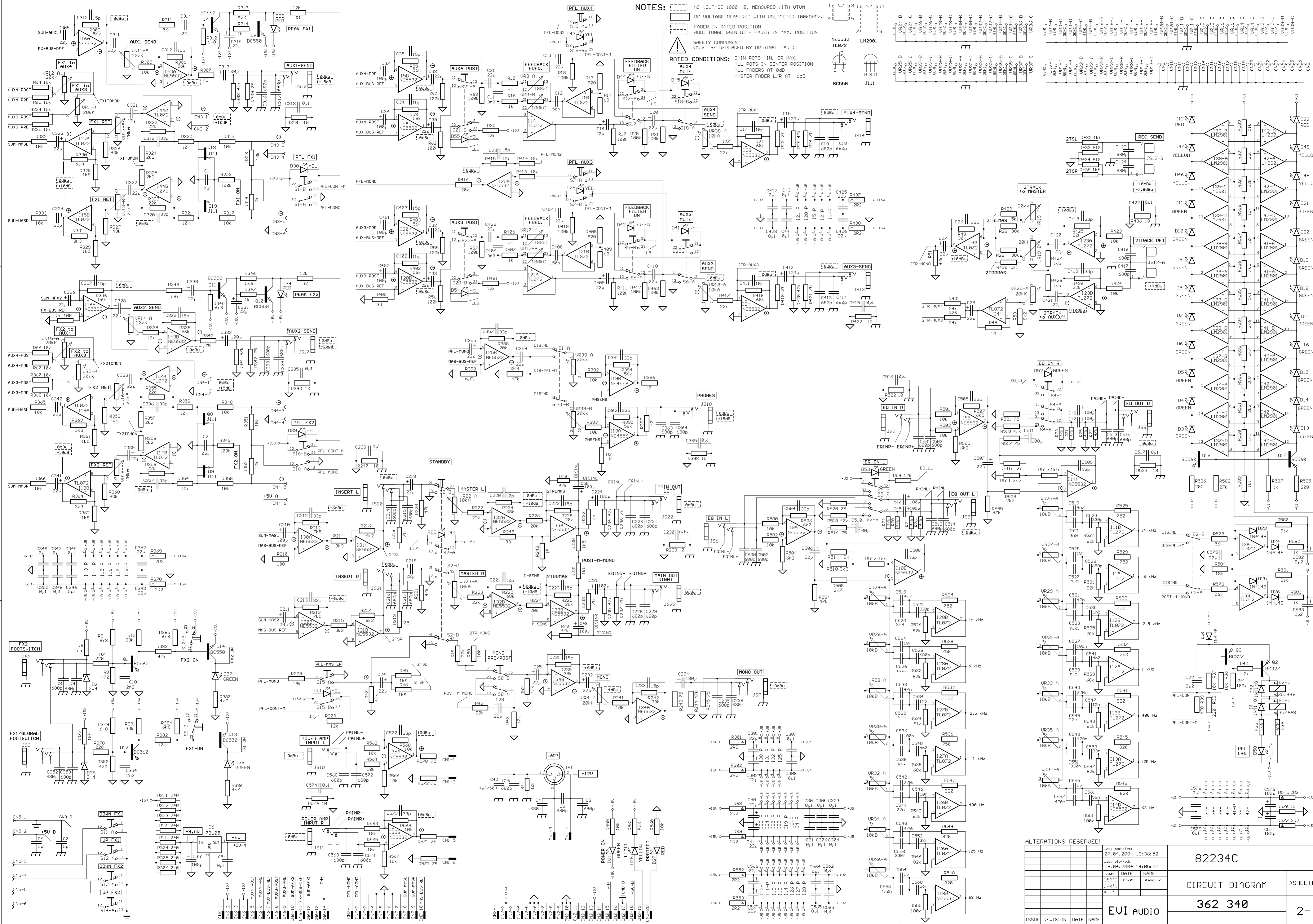
GAIN POTS MIN. OR MAX.
 ALL POTS IN CENTER-POSITION
 ALL FADERS AT 0dB
 MASTER-FADER-L/R AT +6dB



ALTERATIONS RESERVED!

ISSUE	REVISION	DATE	NAME	Last modified: 07.04.2004 13:25:01 Last plotted: 08.04.2004 14:03:54 DATE NAME Lang F. APP'D	81358C CIRCUIT DIAGRAM 362 339 PM1000/PM1600 -2	2/2 2-
-------	----------	------	------	--	--	-----------

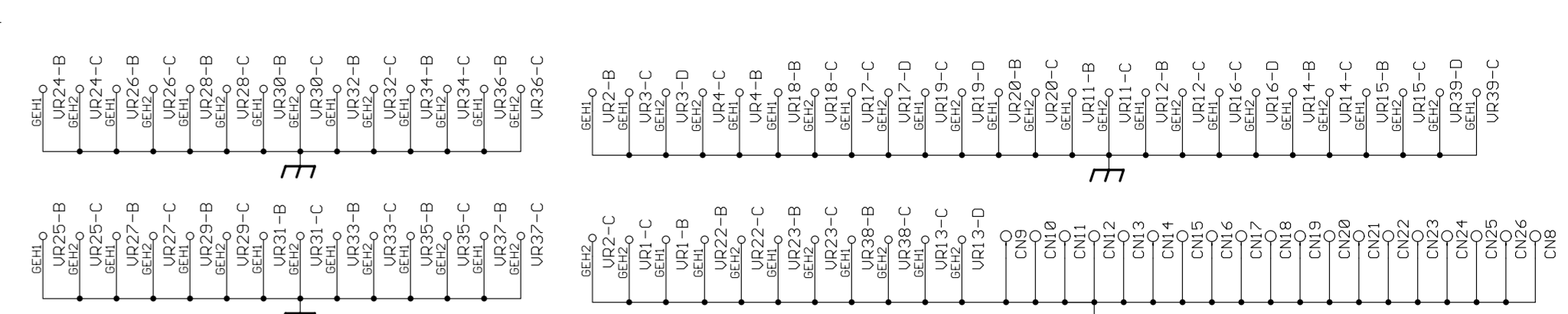
EVI AUDIO



NOTES: AC VOLTAGE 1000 HZ, MEASURED WITH UTUM
DC VOLTAGE MEASURED WITH VOLTMETER 100KOHM/V

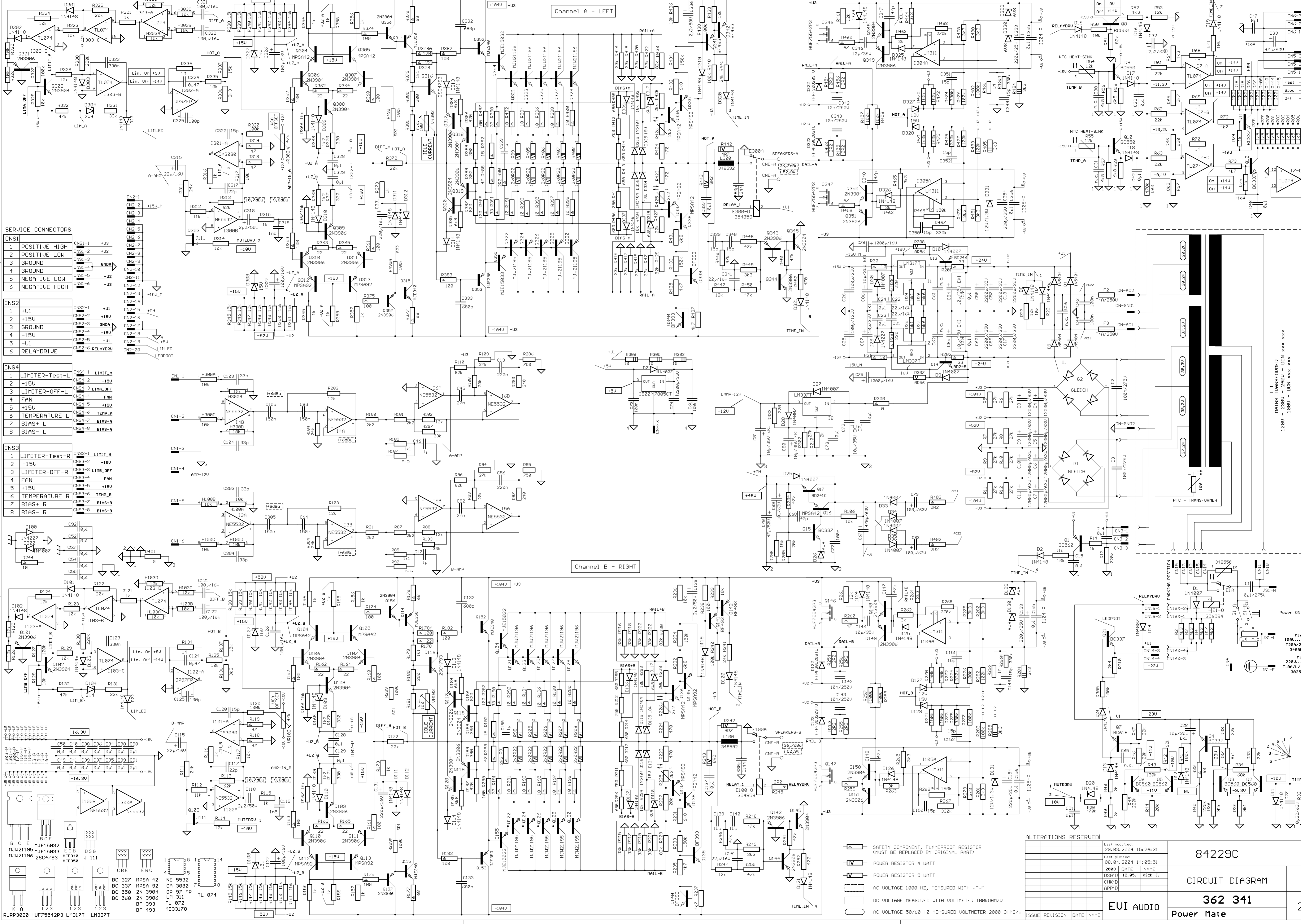
FADER IN RATED POSITION
ADDITIONAL GAIN WITH FADER IN MAX. POSITION
SAFETY COMPONENT
(MUST BE REPLACED BY ORIGINAL PART)

RATED CONDITIONS:
GAIN POTS MIN. OR MAX.
ALL POTS IN CENTER-POSITION
FALL FADERS AT 0dB
MASTER-FADER-L/R AT +6dB



ALTERATIONS RESERVED!

Last modified		07.04.2004 13:36:52
Last plotted		08.04.2004 14:05:07
2883	DATE	NAME
DISG'D	en/ra	stangl R.
APP'D	CHK'D	
EVI AUDIO		
82234C		CIRCUIT DIAGRAM
362 340		>SHEET#
ISSUE	REVISION	DATE
		NAME



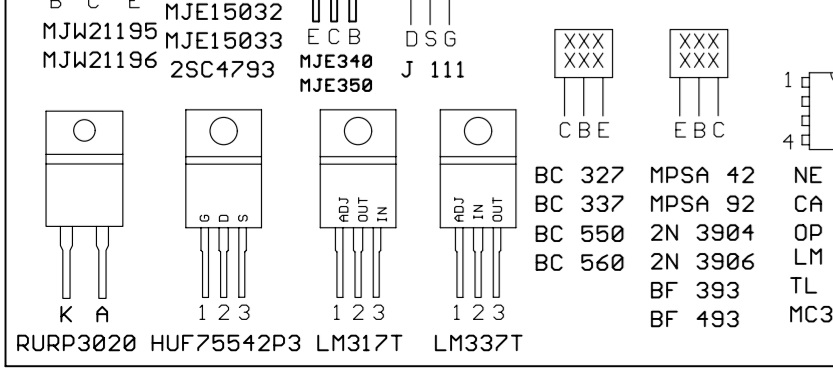
SERVICE CONNECTORS

CNS1	CNS1-1	+U3
1	POSITIVE HIGH	+U3
2	POSITIVE LOW	+U2
3	GROUND	GNDA
4	GROUND	GNDA
5	NEGATIVE LOW	-U2
6	NEGATIVE HIGH	-U3

CNS2	CNS2-1	+U1
1	+U1	+U1
2	+15V	+15V
3	GROUND	GNDA
4	-15V	-15V
5	-U1	-U1
6	RELAYDRIVE	CN2-20

CNS4	CNS4-1	LIMIT_A
1	LIMITER-Test-L	LIMIT_A
2	-15V	-15V
3	LIMITER-OFF-L	LIMB_OFF
4	FAN	FAN
5	+15V	+15V
6	TEMPERATURE L	TEMP_A
7	BIAS+ L	BIAS+A
8	BIAS- L	BIAS-A

CNS3	CNS3-1	LIMIT_B
1	LIMITER-Test-R	LIMIT_B
2	-15V	-15V
3	LIMITER-OFF-R	LIMB_OFF
4	FAN	FAN
5	+15V	+15V
6	TEMPERATURE R	TEMP_B
7	BIAS+ R	BIAS+B
8	BIAS- R	BIAS-B



- SAFETY COMPONENT, FLAMEPROOF RESISTOR (MUST BE REPLACED BY ORIGINAL PART)
- POWER RESISTOR 4 WATT
- POWER RESISTOR 5 WATT
- AC VOLTAGE 1000 HZ, MEASURED WITH UTM
- DC VOLTAGE MEASURED WITH VOLTMETER 100k OHM/V
- AC VOLTAGE 50/60 HZ MEASURED VOLTMETER 2000 OHMS/V

ALTERATIONS RESERVED!

ISSUE	REVISION	DATE	NAME

Last modified: 29.03.2004 15:24:31
 Last plotted: 08.04.2004 14:05:51
2003 DATE NAME
 DSG/D 12.05. Kick J.
 CHK/D
 APP/D

84229C

CIRCUIT DIAGRAM

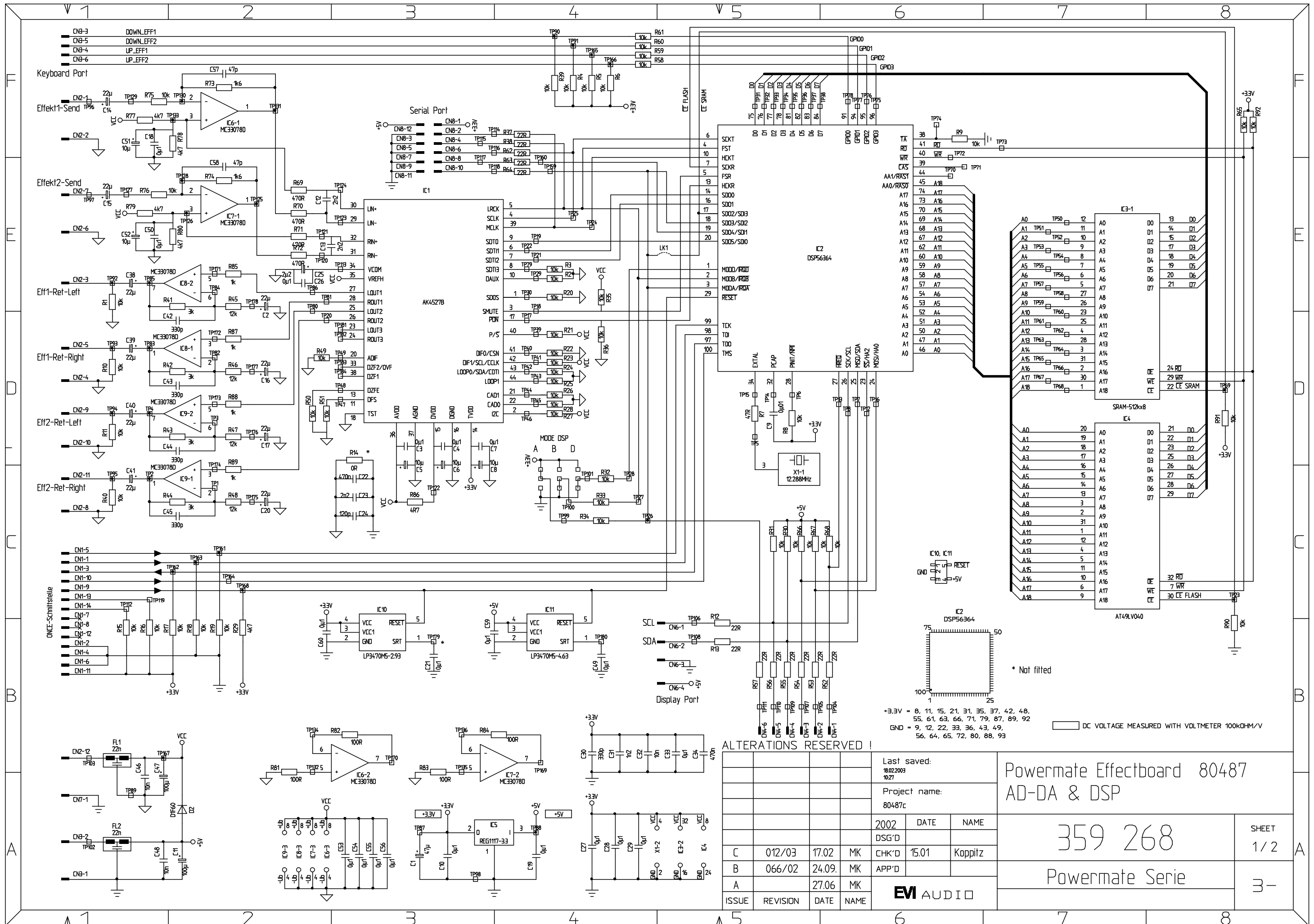
362 341

Power Mate

2-

TRANSFORMER
1200 - 230V - 240V - DCN xxx xxx
1000 - DCN xxx xxx

Power ON Switch
FIX 1000...1200
T26A/250V
34855
220V...240V
T10A/250V
302565



+3.3V = 8, 11, 15, 21, 31, 35, 37, 42, 48, 55, 61, 63, 66, 71, 79, 87, 89, 92
 GND = 9, 12, 22, 33, 36, 43, 49, 56, 64, 65, 72, 80, 88, 93

DC VOLTAGE MEASURED WITH VOLTMETER 100KOHM/V

ALTERATIONS RESERVED !

Last saved:				18.02.2003 10:27	
Project name:				80487c	
2002	DATE	NAME			
C	012/03	17.02	MK	CHK'D	15.01
B	066/02	24.09.	MK	APP'D	
A		27.06	MK		
ISSUE	REVISION	DATE	NAME	EVI AUDIO	

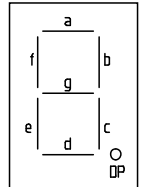
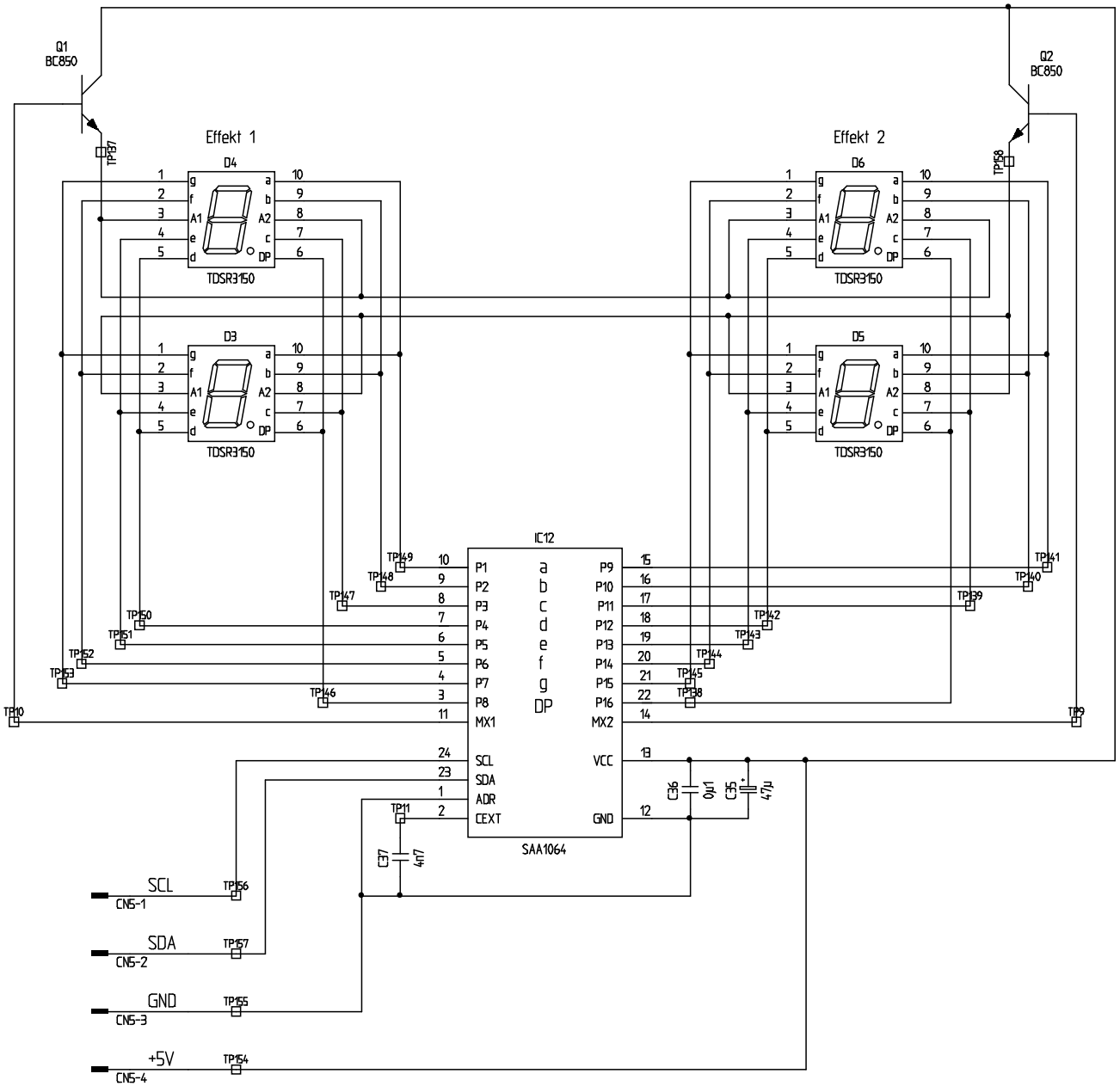
Powermate Effectboard 80487
 AD-DA & DSP

359 268

Powermate Serie

SHEET 1/2

3-



ALTERATIONS RESERVED !

				Last saved: 18.02.2003 10:27		Powermate Effectboard 80487	
				Project name: 80487c		Display	
				2002	DATE	NAME	SHEET 2 / 2
C	012/03	17.02	MK	DSG'D	15.01.	Koppitz	
B	066/02	24.09.	MK	CHK'D			
A		27.06	MK	APP'D			4 -
ISSUE	REVISION	DATE	NAME	EVI AUDIO □			

359 268

Powermate Serie