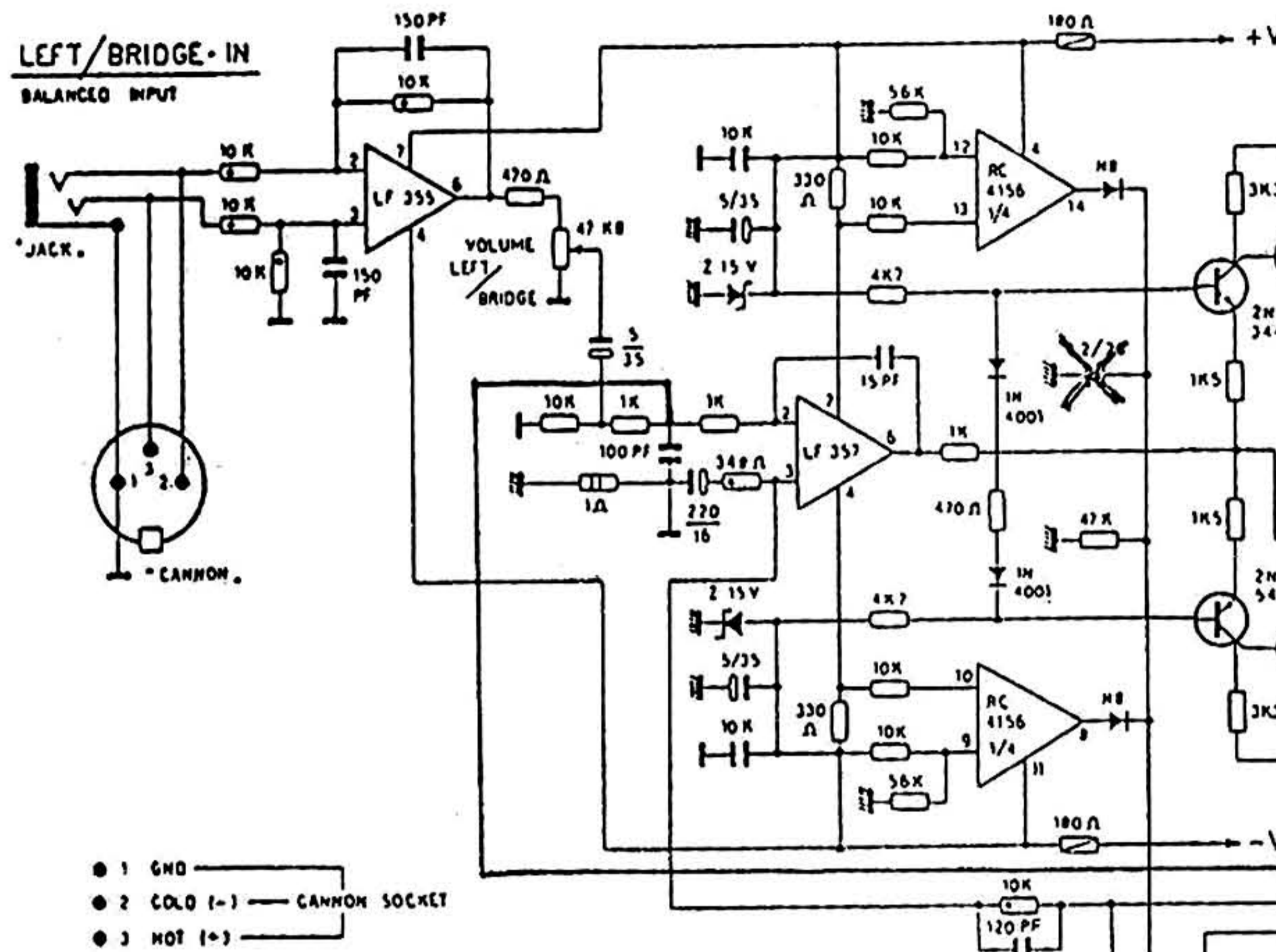
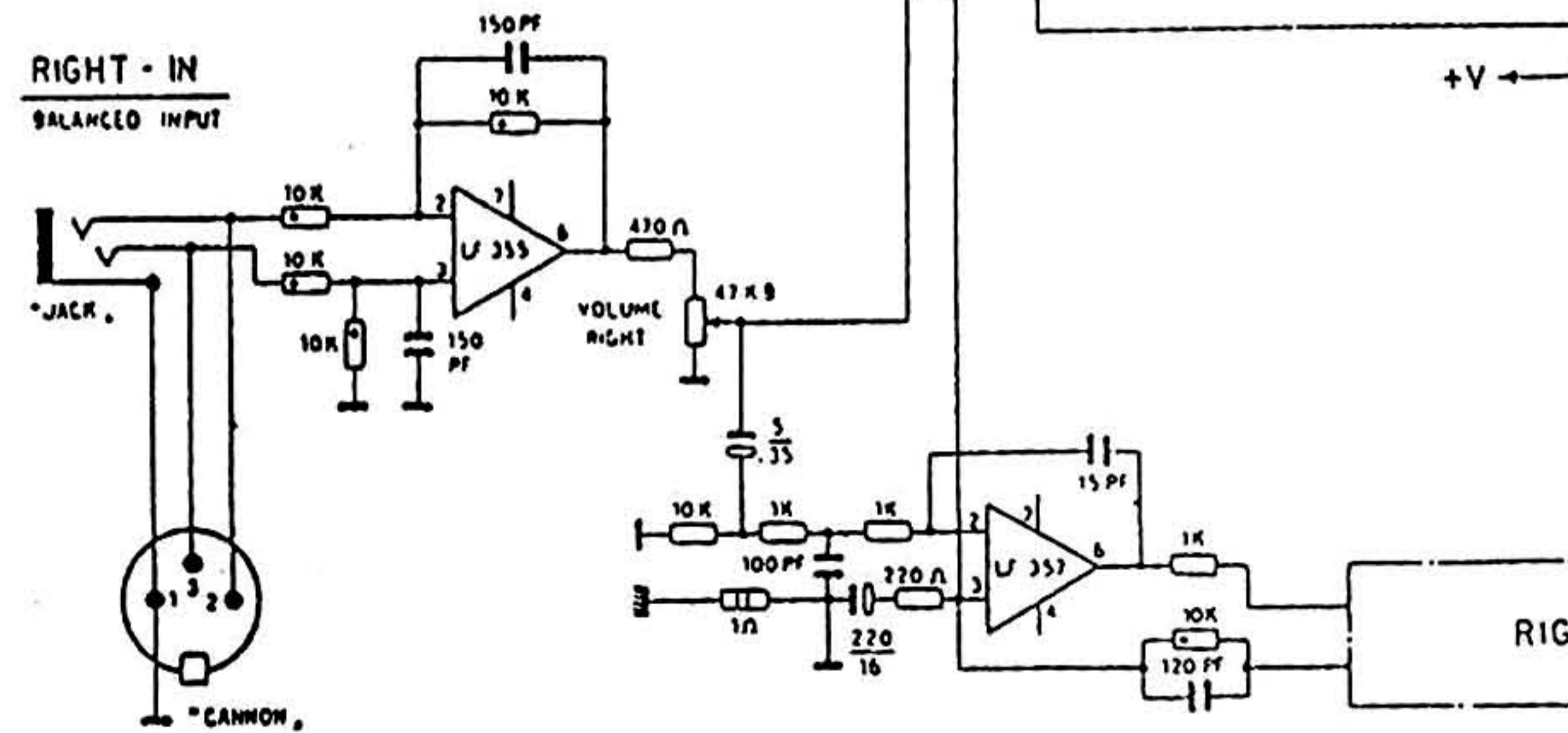


LEFT / BRIDGE - IN  
BALANCED INPUT

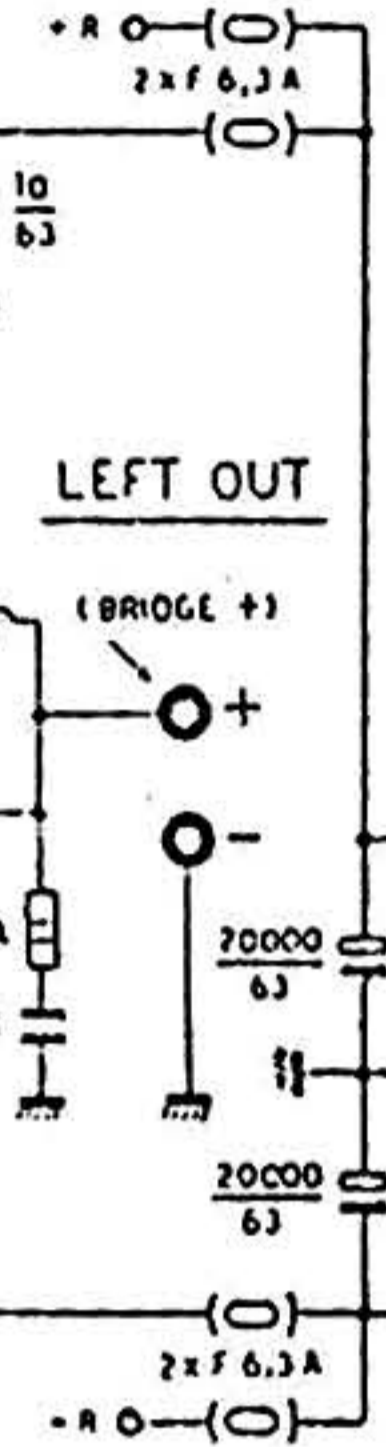


- 1 GND
- 2 COLD (-) CANNON SOCKET
- 3 HOT (+) CANNON SOCKET

RIGHT - IN  
BALANCED INPUT

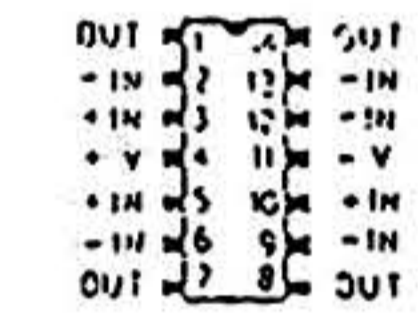
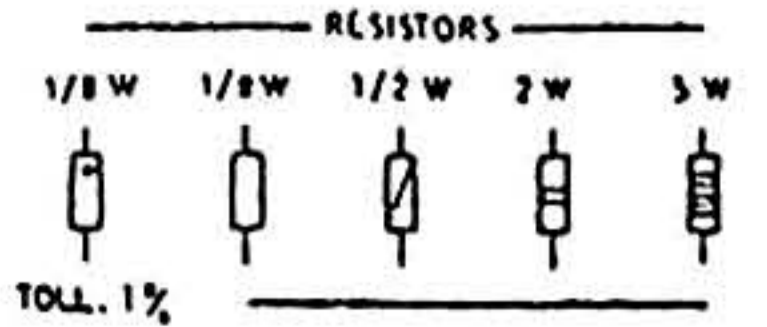
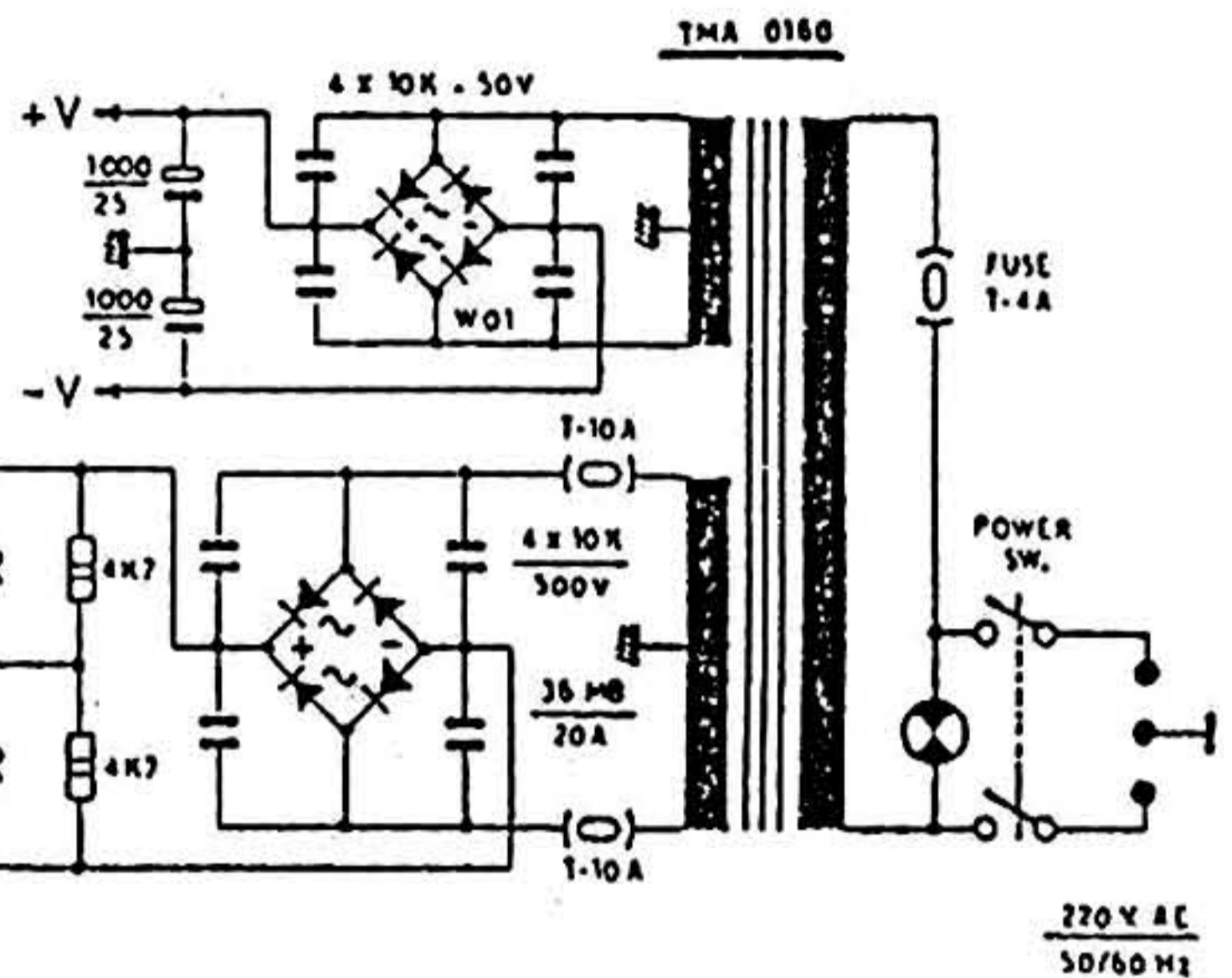


470-Ω VTL5C10 Electronic Limiter

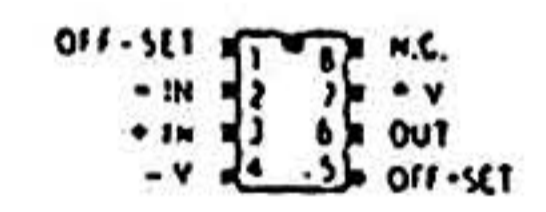


LEFT OUT  
(BRIDGE +)

-R O ( )  
2 x F 6.3 A



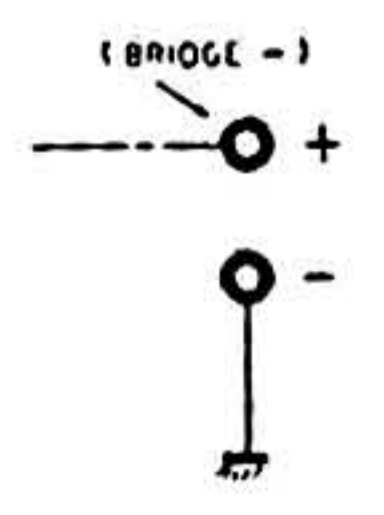
\* RC 4156 \*



\* LF 355 - LF 357 \*

STEREO Z out ≥ 4 Ω  
BRIDGE Z out ≥ 8 Ω  
BRIDGE SYSTEM 4 ohms :  
USE WITH FORCED VENTILATION ONLY.

RIGHT OUT  
(BRIDGE -)



RIGHT AMPLIFIER

Date	17-01-77	№ prot.	Stato	trattamento	disegnato
Disegnato		Contrattista	Dis. n°		
			C 6002/8		
		STEREO POWER AMP. "C 600. MK III			
RADIO ELETTROMECCANICA Parma - Italy					