



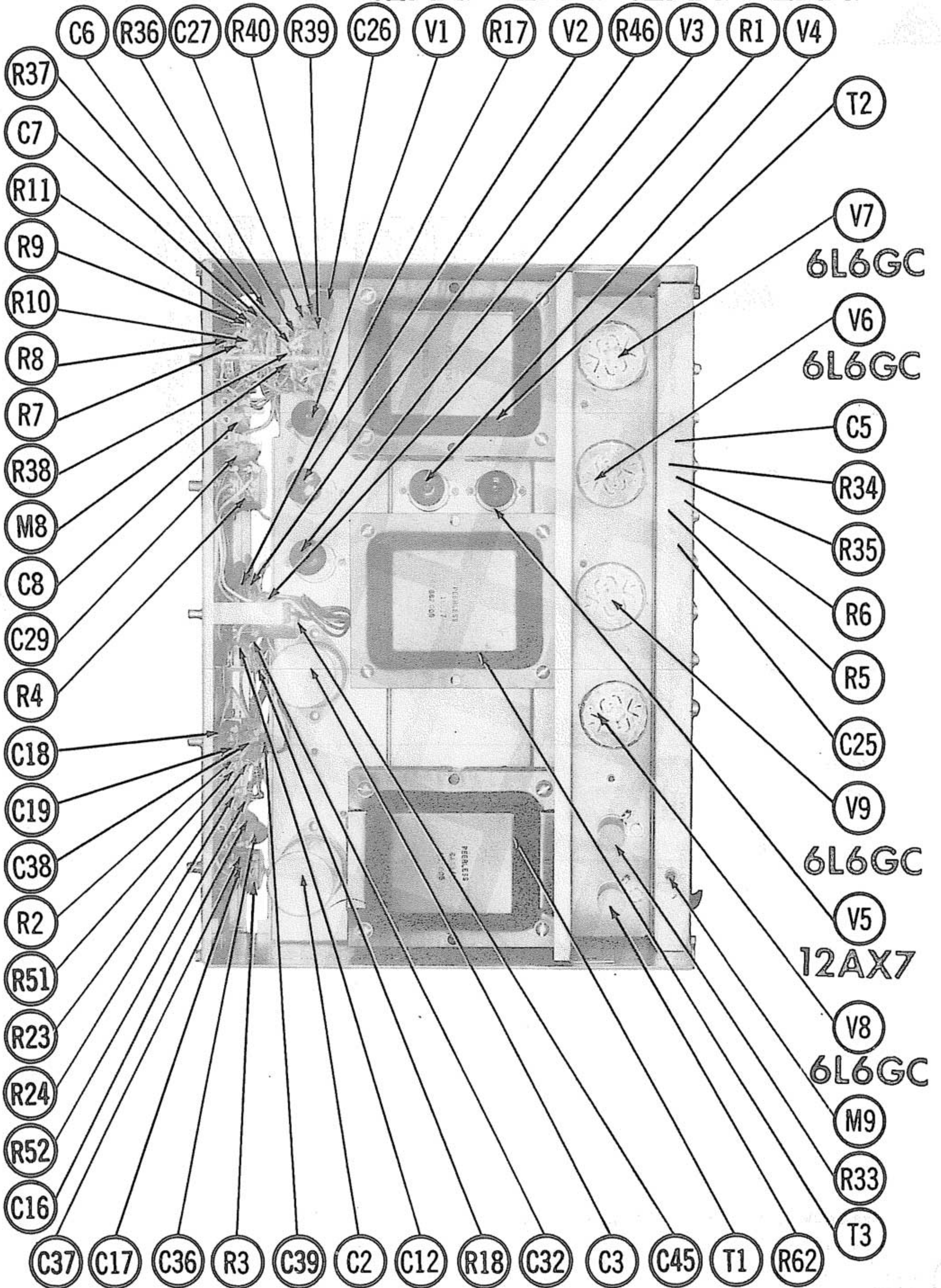
TRADE NAME Altec Lansing Model 353A

MANUFACTURER Altec Lansing Corp, A Subsidiary of Ling-Temco Electronics, Inc., 1515 S. Manchester Ave., Anaheim, Calif.

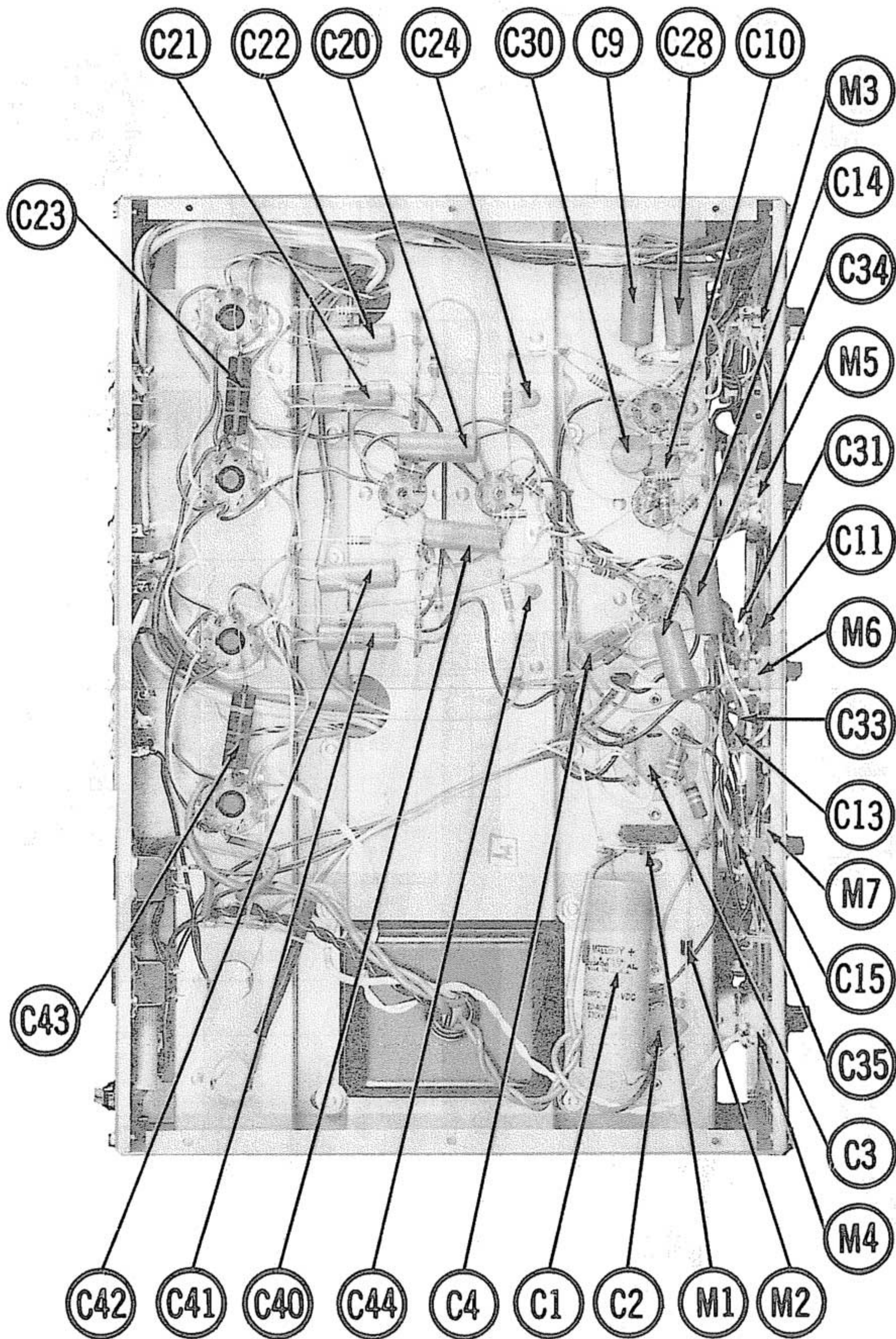
TYPE SET AC Operated 9 Tube Stereo Amplifier

POWER SUPPLY 110 - 120 Volts AC, 60 Cycles **RATING** 165 Watts, 1.65 Amp. @ 117 Volts AC

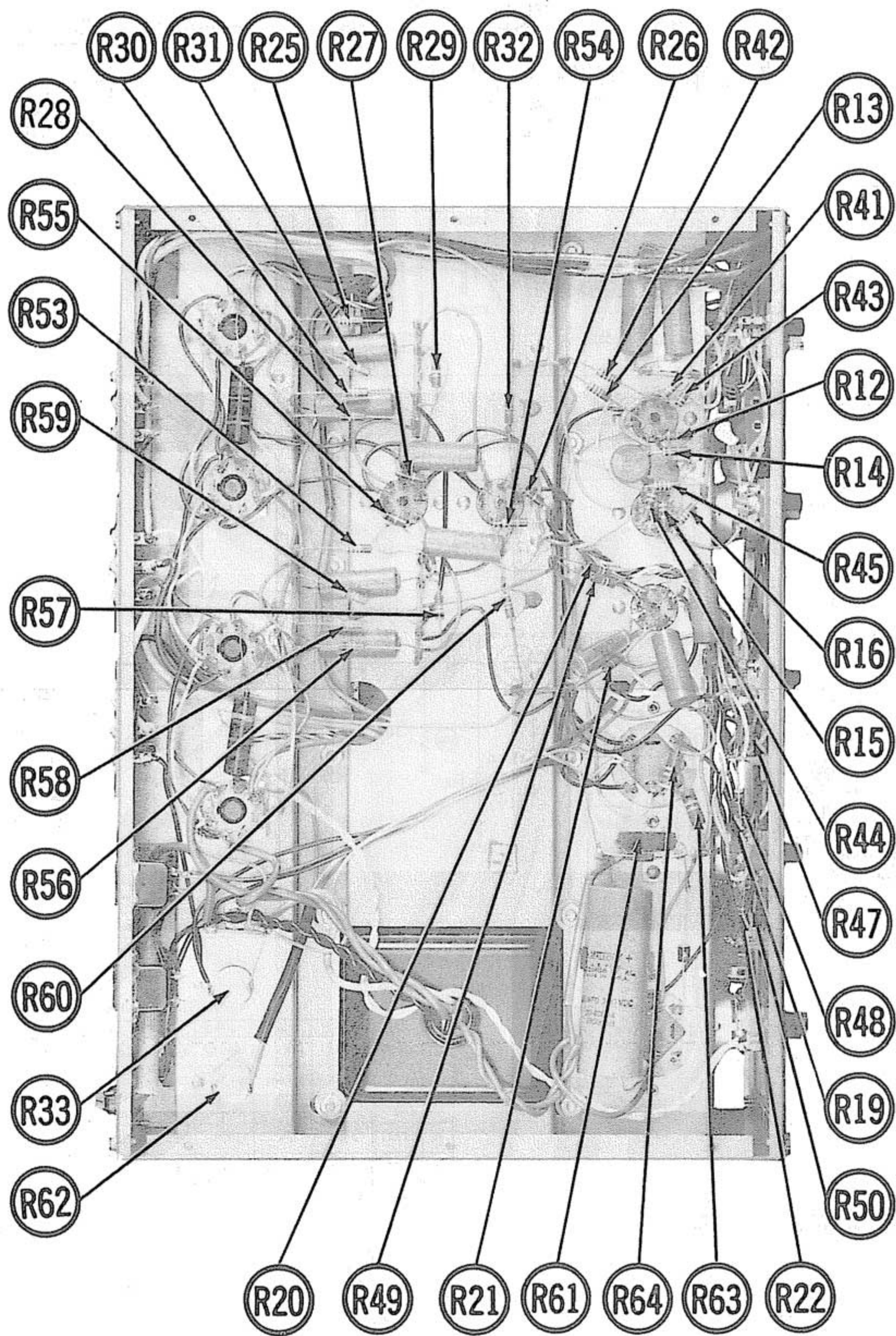
12AX7 12AX7 12AX7 12AX7



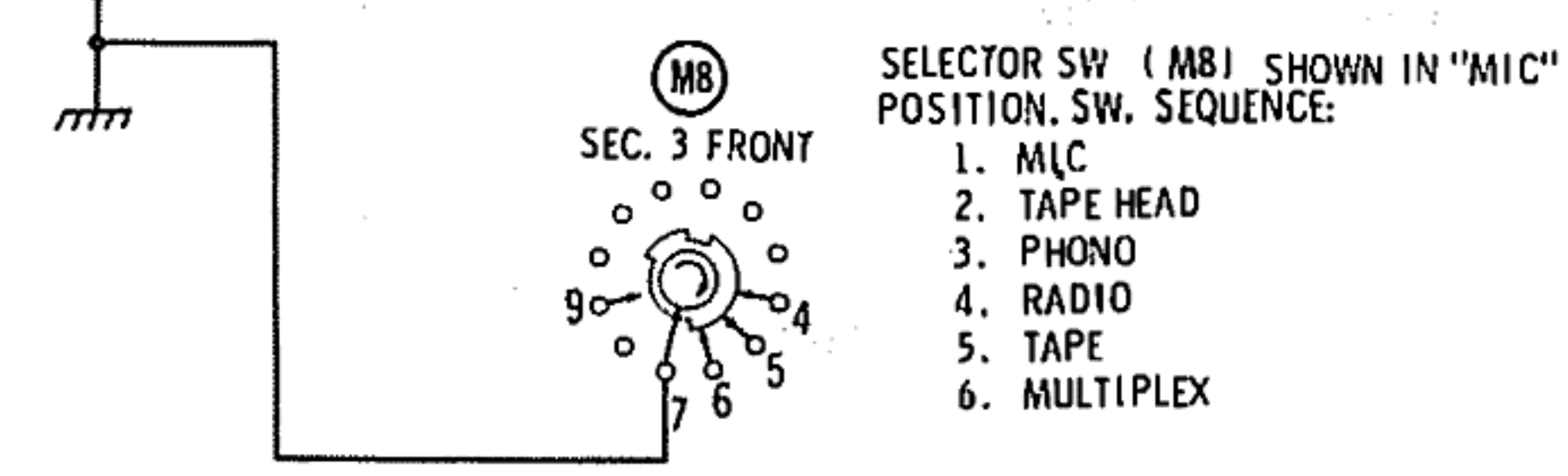
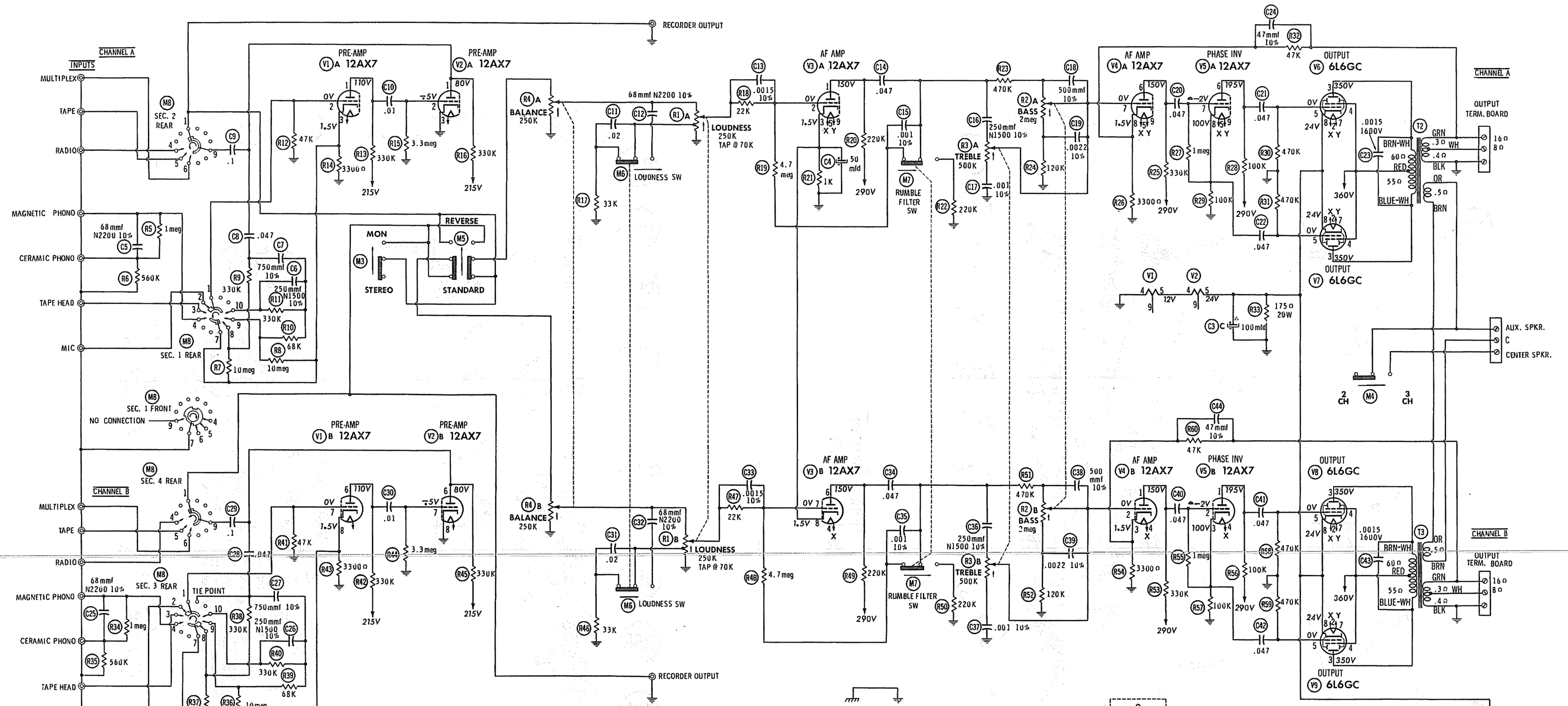
CHASSIS-TOP VIEW



CHASSIS BOTTOM VIEW-CAPACITOR & MISC. IDENT.



CHASSIS BOTTOM VIEW-RESISTOR IDENT.



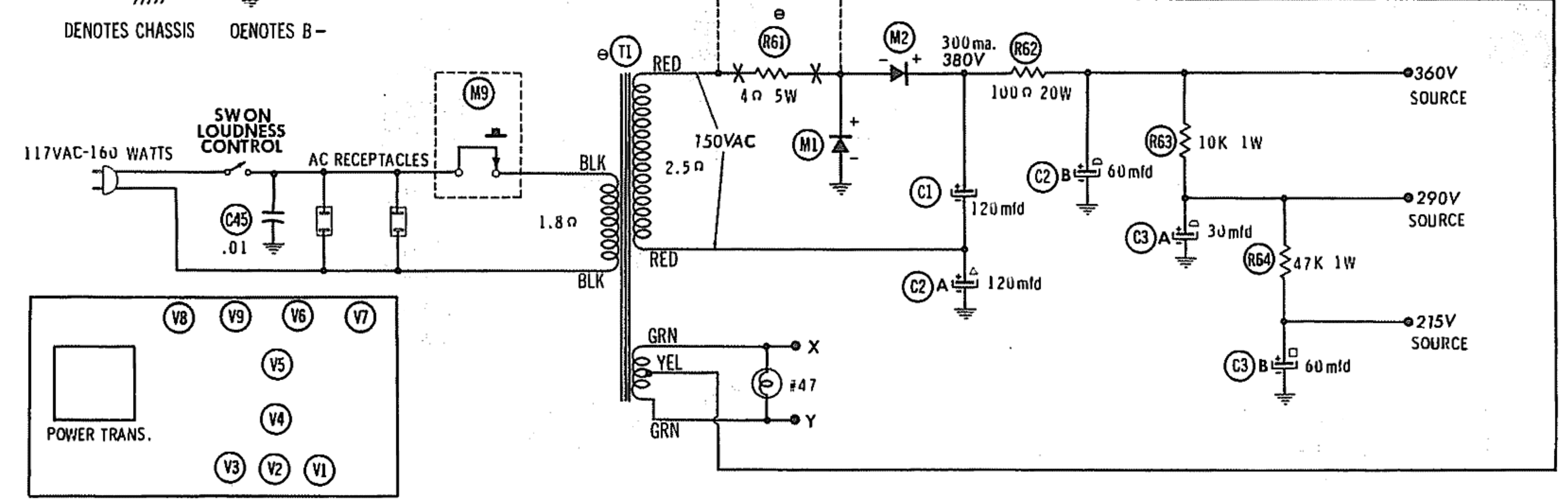
NUMBERS ASSIGNED TO COILS, SWITCHES, PLUGS, SOCKETS, AND TRANSFORMERS ARE TO FACILITATE CIRCUIT TRACING OR COMPONENT REPLACEMENT AND MAY NOT NECESSARILY BE FOUND ON THE UNIT.

- DC voltage measurements taken with vacuum tube voltmeter; AC voltages measured with 1000 ohm per volt voltmeter.
- Socket connections are shown as bottom views.
- Measured values are from socket pin to common ground.
- Line voltage maintained at 117 volts for voltage readings.
- Nominal tolerance of component values makes possible a variation of ±15% in voltage and resistance readings.
- All controls at minimum, proper output load connected.

RESISTANCE READINGS

ITEM	TUBE	Pin 1	Pin 2	Pin 3	Pin 4	Pin 5	Pin 6	Pin 7	Pin 8	Pin 9
V1	12AX7	±390K	47K	3300Ω	0Ω	20Ω	±390K	47K	3300Ω	NC
V2	12AX7	±390K	3.3meg	0Ω	20Ω	40Ω	±390K	3.3meg	0Ω	NC
V3	12AX7	±230K	22K	1000Ω	FIL	FIL	±230K	22K	1000Ω	FIL
V4	12AX7	±340K	120K	3300Ω	FIL	FIL	±340K	120K	3300Ω	FIL
V5	12AX7	±110K	1.1meg	100K	FIL	FIL	±110K	1.1meg	100K	FIL
V6	6L6GC	NC	FIL	±160Ω	±100Ω	470K	NC	FIL	40Ω	NC
V7	6L6GC	NC	FIL	±155Ω	±100Ω	470K	TP	FIL	40Ω	NC
V8	6L6GC	NC	FIL	±160Ω	±100Ω	470K	NC	FIL	40Ω	NC
V9	6L6GC	NC	FIL	±155Ω	±100Ω	470K	TP	FIL	40Ω	NC

MEASURED FROM OUTPUT OF M2. NC NO CONNECTION
 MEASURED FROM CATHODE. TP TIE POINT



TUBE LAYOUT (BOTTOM VIEW)

SEE PARTS LIST FOR ALTERNATE VALUE OR APPLICATION

DC COIL RESISTANCE VALUES UNDER ONE OHM NOT SHOWN ON SCHEMATIC DIAGRAM

ARROWS ON CONTROLS INDICATE CLOCKWISE ROTATION (CONTROL VIEWED FROM SHAFT END)

A PHOTOFAC STANDARD NOTATION SCHEMATIC

PARTS LIST AND DESCRIPTIONS (Continued)

TRANSFORMER (POWER)

ITEM No.	RATING			REPLACEMENT DATA					NOTES
	PRI.	SEC. 1	SEC. 2	Altec Lansing PART No.	Merit PART No.	Stancor PART No.	Thordorson PART No.	Triod PART No.	
T1	117V [ⓐ] 1.65A	150V [ⓐ] .900A AC	6.3VCT [ⓐ] 4.6A	6473A ①					① Part #6473 used in some versions.

TRANSFORMER (AUDIO OUTPUT)

ITEM No.	IMPEDANCE		REPLACEMENT DATA					NOTES							
	PRI.	SEC. 1	Altec Lansing PART No.	Merit PART No.	Stancor PART No.	Thordorson PART No.	Triod PART No.								
T2	4900Ω CT	16Ω Tap [ⓐ] 8Ω	16517												
T3		SEC. 2							16517						
		5-6Ω													
	SEC. 1														
	4900Ω CT	16Ω Tap [ⓐ] 8Ω	16517												
		SEC. 2													
		5-6Ω													

POWER RECTIFIERS

ITEM No.	RATING	REPLACEMENT DATA				NOTES
	CURRENT (Measured)	Altec Lansing PART No.	RCA PART No.	SARKES TARZIAN PART No.	SYLVANIA PART No.	
M1 M2	.300A .300A		1N3195 † 1N3195 †	F-6 F-6	SR-500 SR-500	† Add 6Ω surge limiter in series with each HV lead.

MISCELLANEOUS

ITEM No.	PART NAME	Altec Lansing PART No.	NOTES
M3 M4 M5 M6 M7 M8 M9	Switch Switch Switch Switch Switch Switch Circuit Breaker	13075	Mode Stereo Output Reverse Loudness Rumble Selector (2.1A Operating, 3A open)

WIRING DATA

General-use Unshielded Hook-up Wire Use BELDEN No. 8530 (Solid) Available in Ten Colors
8524 (Stranded) Available in Ten Colors
Power Cord Use BELDEN No. 1765-B (6 Ft. Length)
1725-K (7½ Ft. Length)