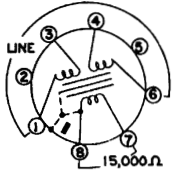
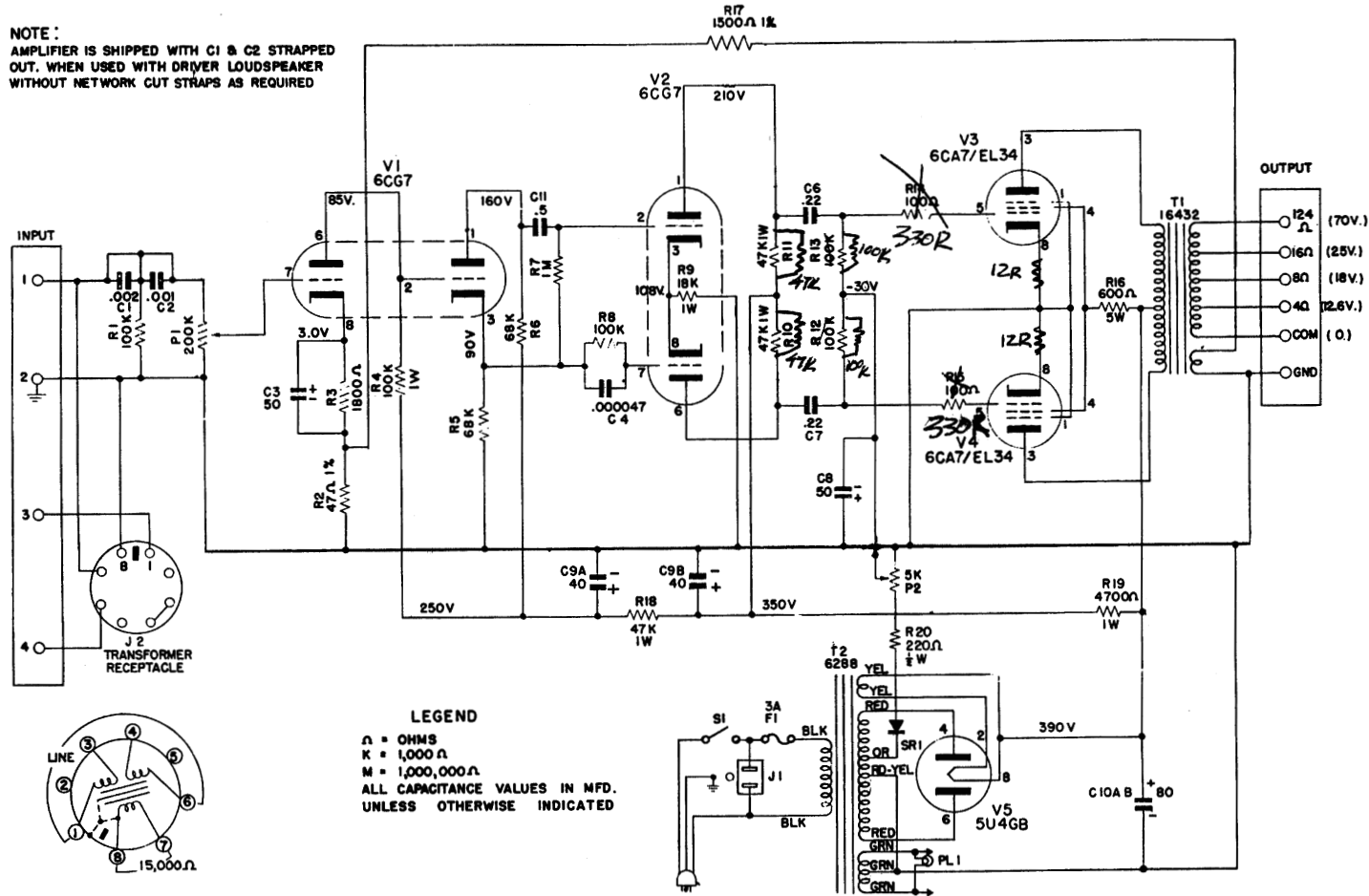


1568A

Altec Lansing

NOTE:  
AMPLIFIER IS SHIPPED WITH C1 & C2 STRAPPED  
OUT. WHEN USED WITH DRIVER LOUDSPEAKER  
WITHOUT NETWORK CUT STRAPS AS REQUIRED



15095 TRANSFORMER IMPEDANCES

LINE	STRAP J2
150Ω	1-4, 3-6
600Ω	3-4

LEGEND  
 Ω = OHMS  
 K = 1,000 Ω  
 M = 1,000,000 Ω  
 ALL CAPACITANCE VALUES IN MFD.  
 UNLESS OTHERWISE INDICATED

ALTEC LANSING  
1568 A AMPLIFIER

FIRST MADE FOR  
 TOLERANCES EXCEPT AS NOTED, FRACT. & 1/16" DEC. & 1/32" HOLE SIZES & TO 1/16" & .001 OVER 1/16" & .002 ANGULAR & 1/16"

REV.	APPROV.	DATE	CHANGE
1		7-27-65	
2		8-26-65	.5 WAS .22 (C11)
3		11-25-65	DELETED C5
4		7-19-66	15095 TRANS. WAS 4665 TRANS.
5		10-20-66	AC RECTIFY. WAS GROUNDING
6		1-17-67	PROD. 110

ALTEC  
 ANAHEIM, CALIFORNIA  
 1568 A AMPLIFIER  
 SCHEMATIC  
 DR. BY G.J.S. 6344-6