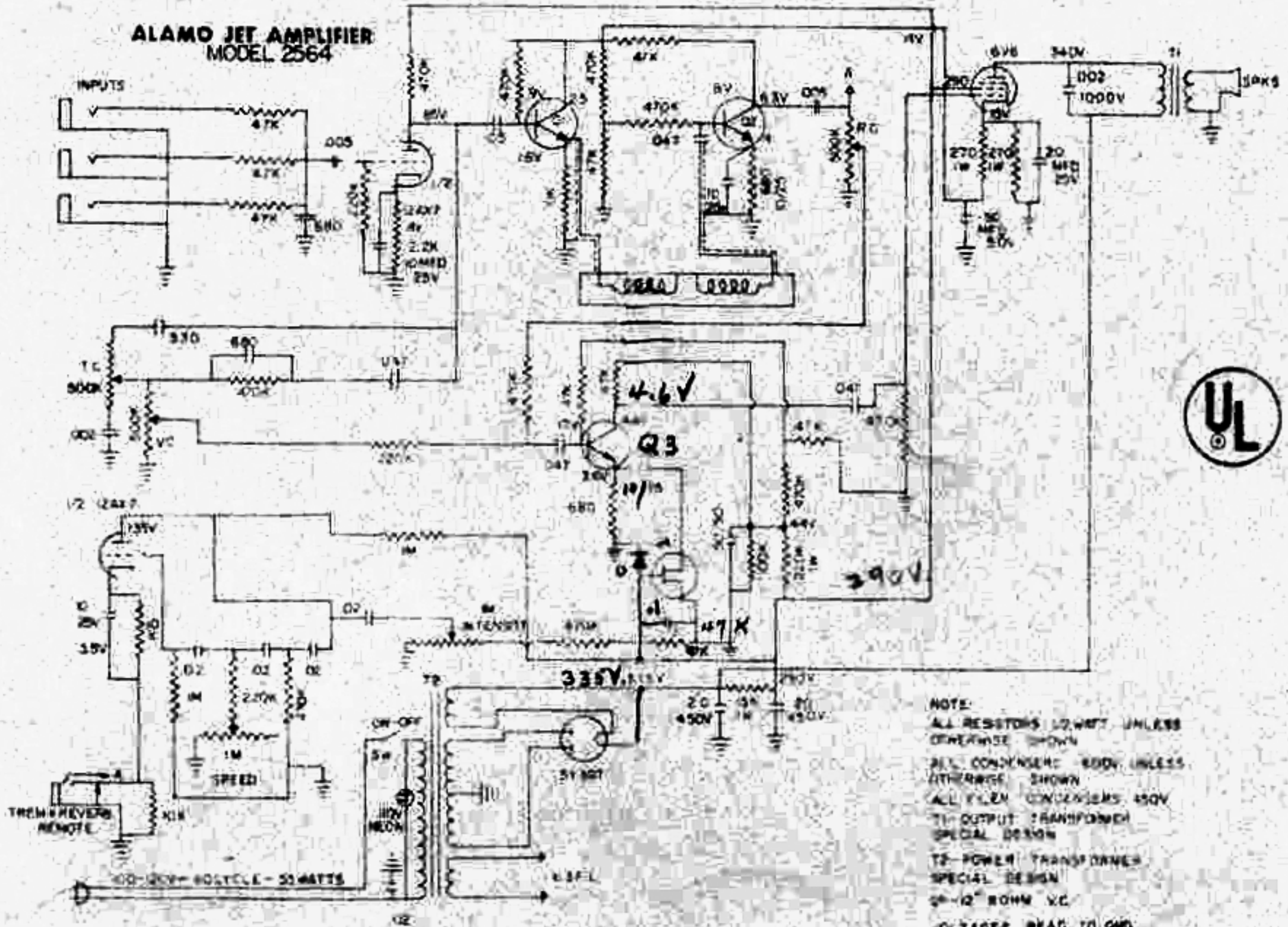


ALAMO JET AMPLIFIER MODEL 2564



NOTE:
 ALL RESISTORS 1/2WATT UNLESS OTHERWISE SHOWN
 ALL CAPACITORS 500V UNLESS OTHERWISE SHOWN
 ALL FILM CAPACITORS 450V
 T1- OUTPUT TRANSFORMER SPECIAL DESIGN
 T2- POWER TRANSFORMER SPECIAL DESIGN
 C- 1/2" 50MM VC
 VOLTAGES READ TO GND WITH V.TVM, VOLTAGE & 20%
 Q1- Q2 2N5708 OR EQUIV.
 Q3 2N1123 OR EQUIV.
 Q4 1N58 OR
 D- SILICON DIODE