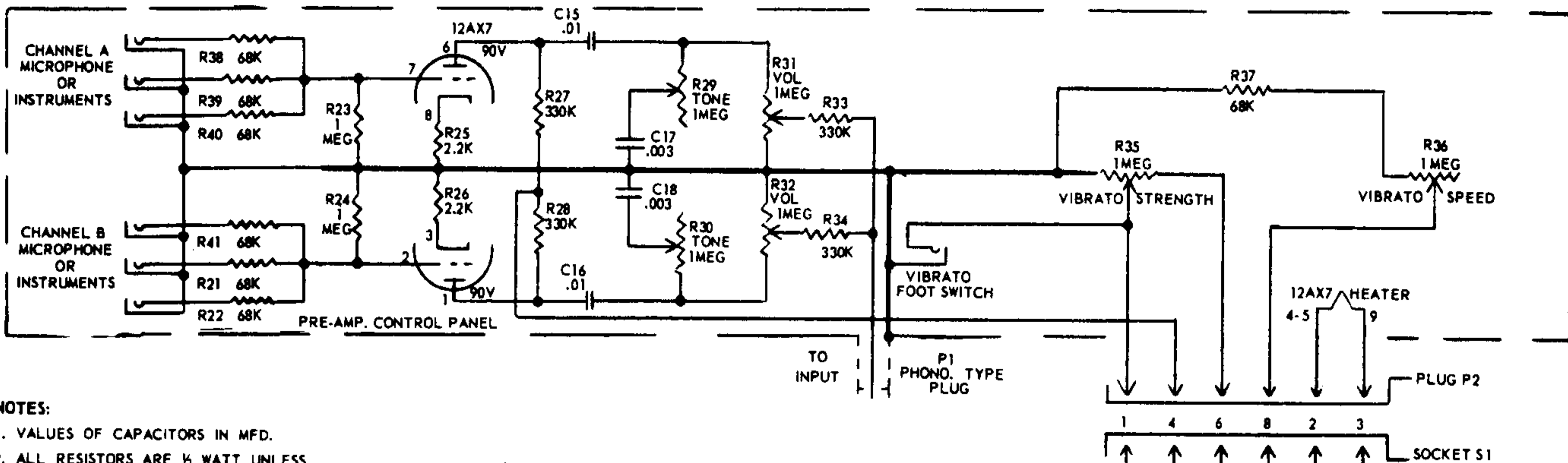
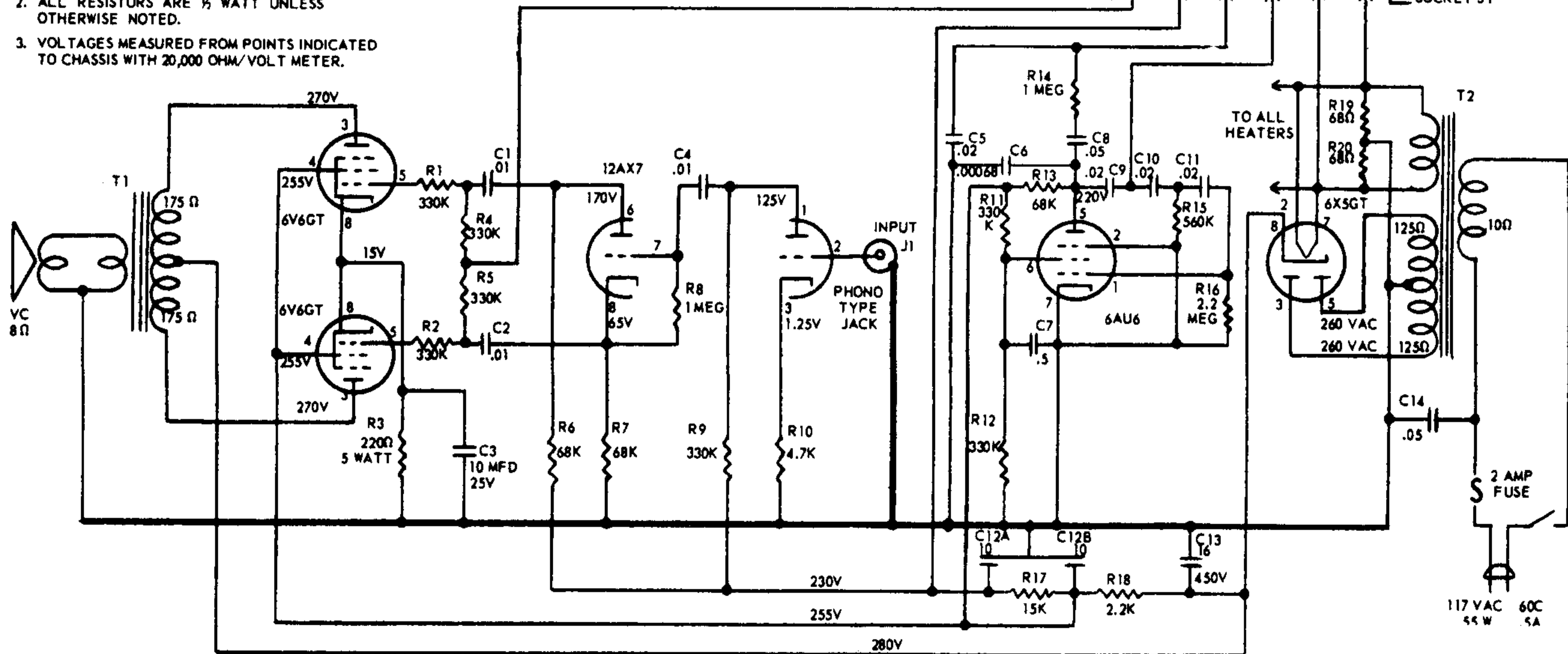


Commercial Instrument Amplifiers



NOTES:

1. VALUES OF CAPACITORS IN MFD.
2. ALL RESISTORS ARE $\frac{1}{2}$ WATT UNLESS OTHERWISE NOTED.
3. VOLTAGES MEASURED FROM POINTS INDICATED TO CHASSIS WITH 20,000 OHM/VOLT METER.



Wards Airline Model GDR-8503A, 8504A